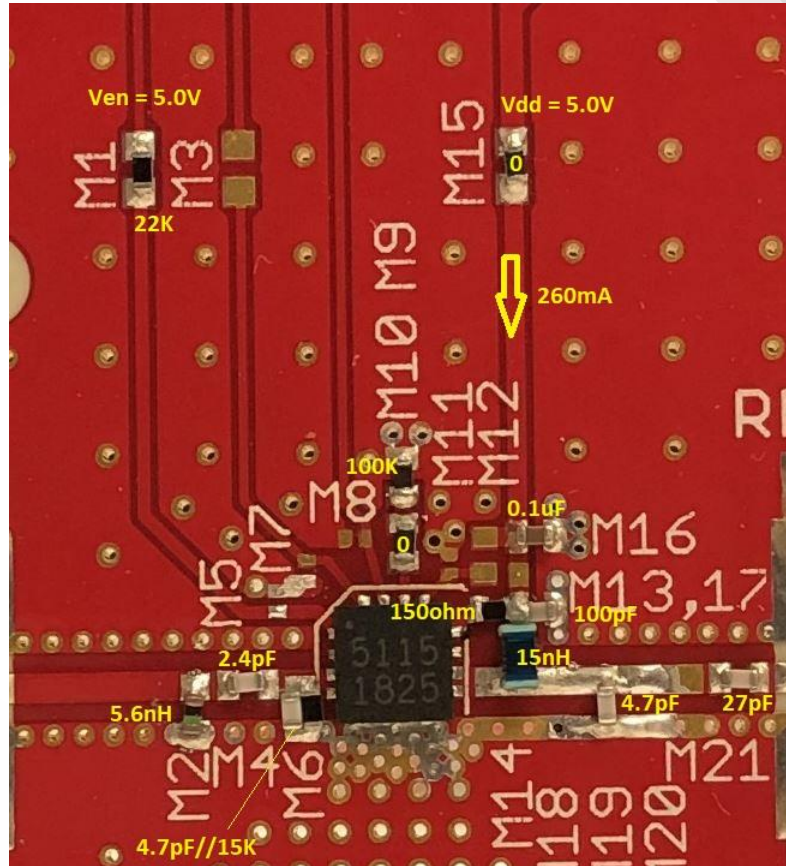


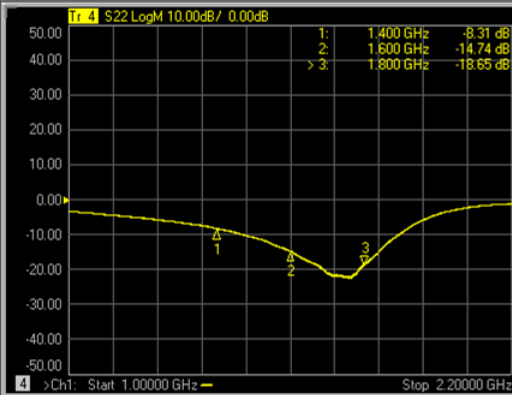
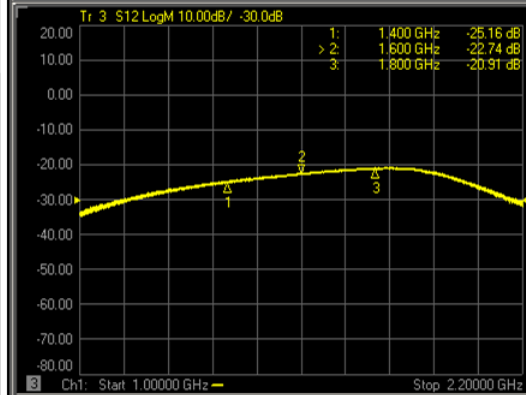
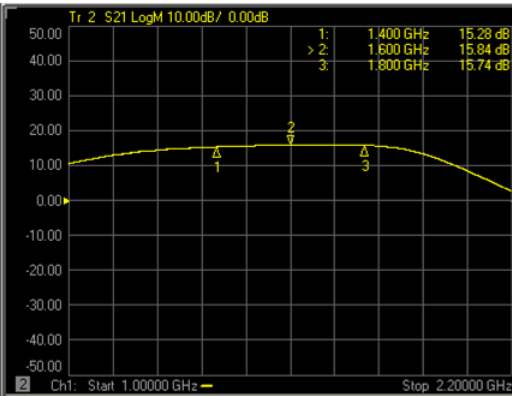
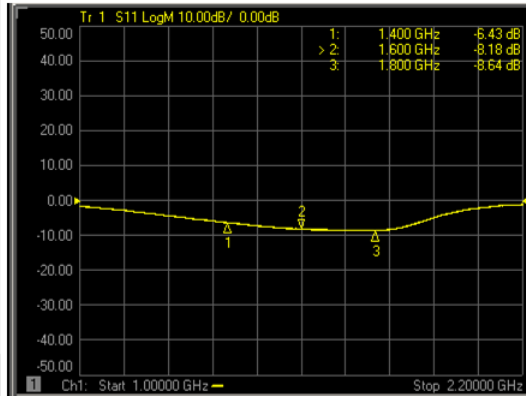


GRF5115 (1400 - 1800 MHz)

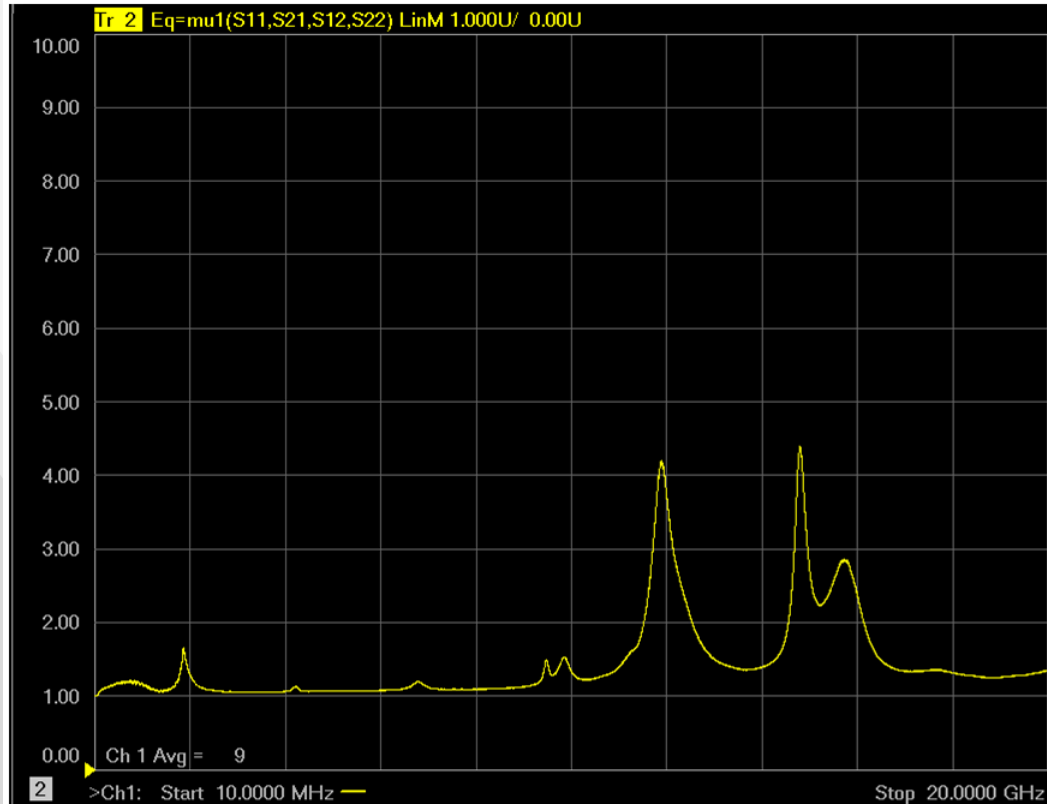
GRF5115 Schematic:



GRF5115 Response:



GRF5115 Stability Mu Factor:



GRF5115 Data:

Bias Point	Freq MHz	Vdd V	Ven V	Iddq mA	Pout/Ptone dBm	gain dB	tone spacing MHz	IIP3 dBm	OIP3 dBm	IP1dB dBm	OP1dB dBm	Eff %	EVB NF dB
5.0V/260mA	1400	5.0	5.0	260.0	18.0	15.3	2.0	29.9	45.2	17.4	31.7	43.2	0.97
5.0V/260mA	1500	5.0	5.0	260.0	18.0	15.4	2.0	29.5	44.9	18.1	32.5	48.3	0.95
5.0V/260mA	1550	5.0	5.0	260.0	18.0	15.8	2.0	29.1	44.9	18.1	32.9	50.7	0.98
5.0V/260mA	1600	5.0	5.0	260.0	18.0	16.0	2.0	28.4	44.4	18.1	33.1	52.7	1.02
5.0V/260mA	1650	5.0	5.0	260.0	18.0	15.9	2.0	28.1	44	18.2	33.1	53.3	1
5.0V/260mA	1700	5.0	5.0	260.0	18.0	15.9	2.0	28.3	44.2	18.2	33.1	54.5	0.98
5.0V/260mA	1800	5.0	5.0	260.0	18.0	15.8	2.0	27.8	43.6	17.5	32.3	54.3	1.05



Jeff Broxson

Vice President - Sales

Phone (336) 339-9314

jbroxson@guerrilla-rf.com

Alan Ake

Vice President - Applications/Technical Marketing

Phone (336) 708-4581

aake@guerrilla-rf.com

Guerrilla RF

1196 Pleasant Ridge Road, Suite 5
Greensboro, NC 27409

Phone: (336) 510-7840

www.guerrilla-rf.com