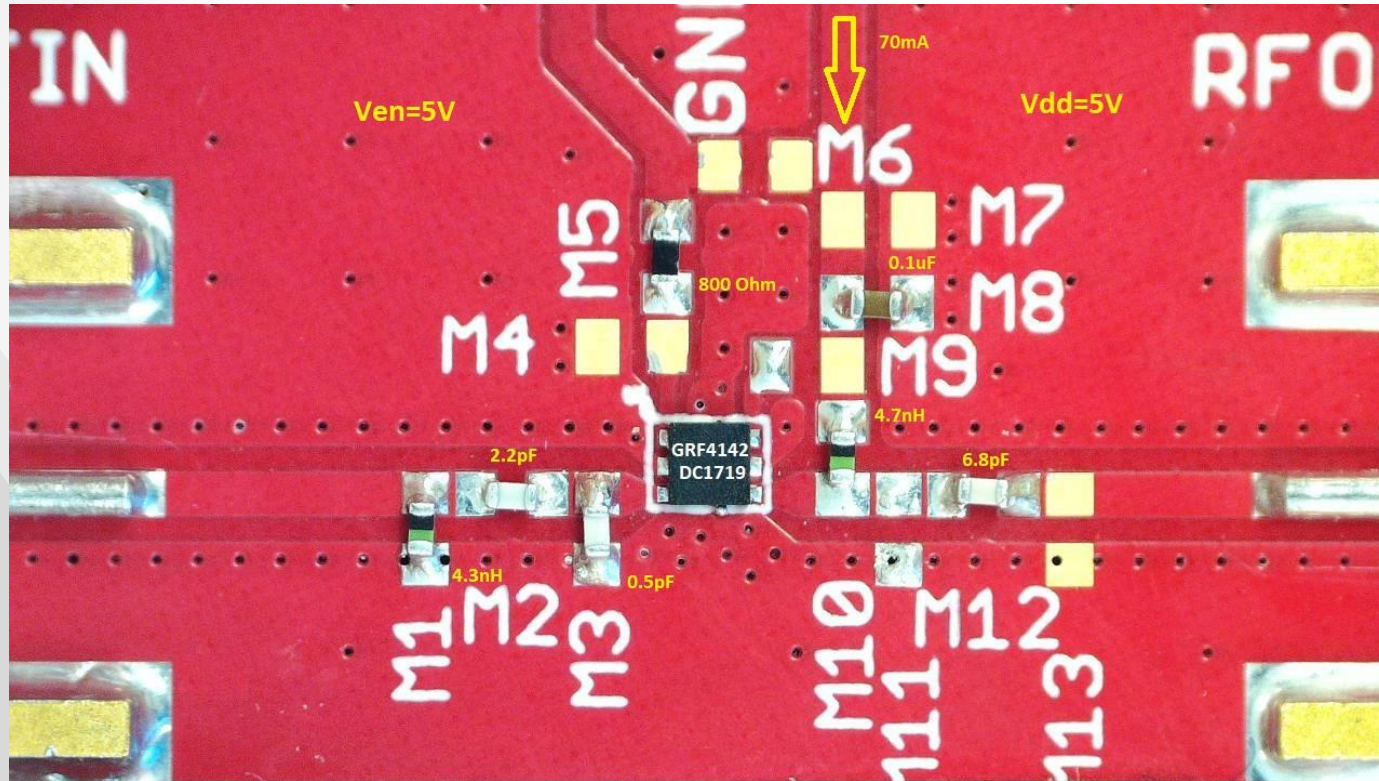


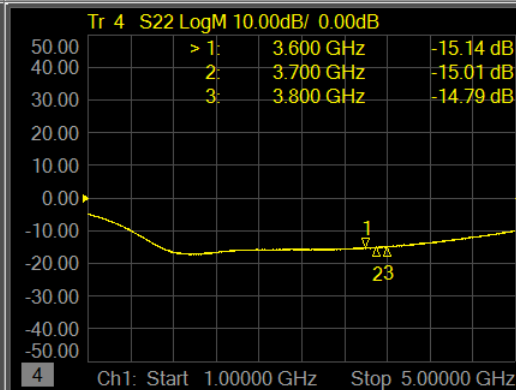
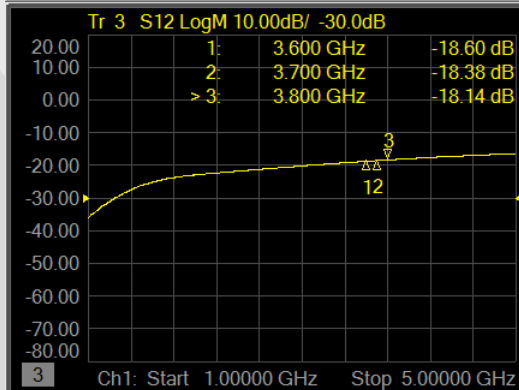
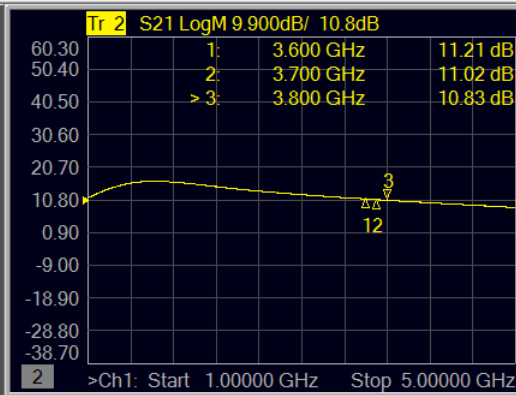
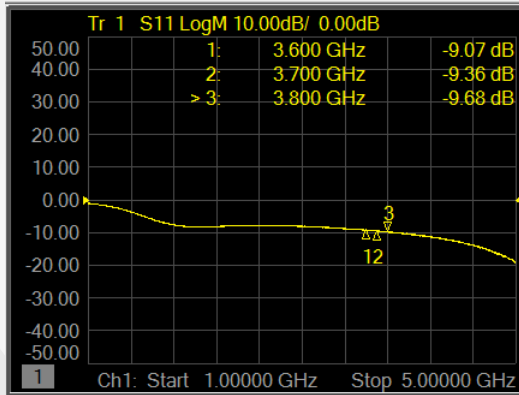


GRF4142 (3800 MHz)

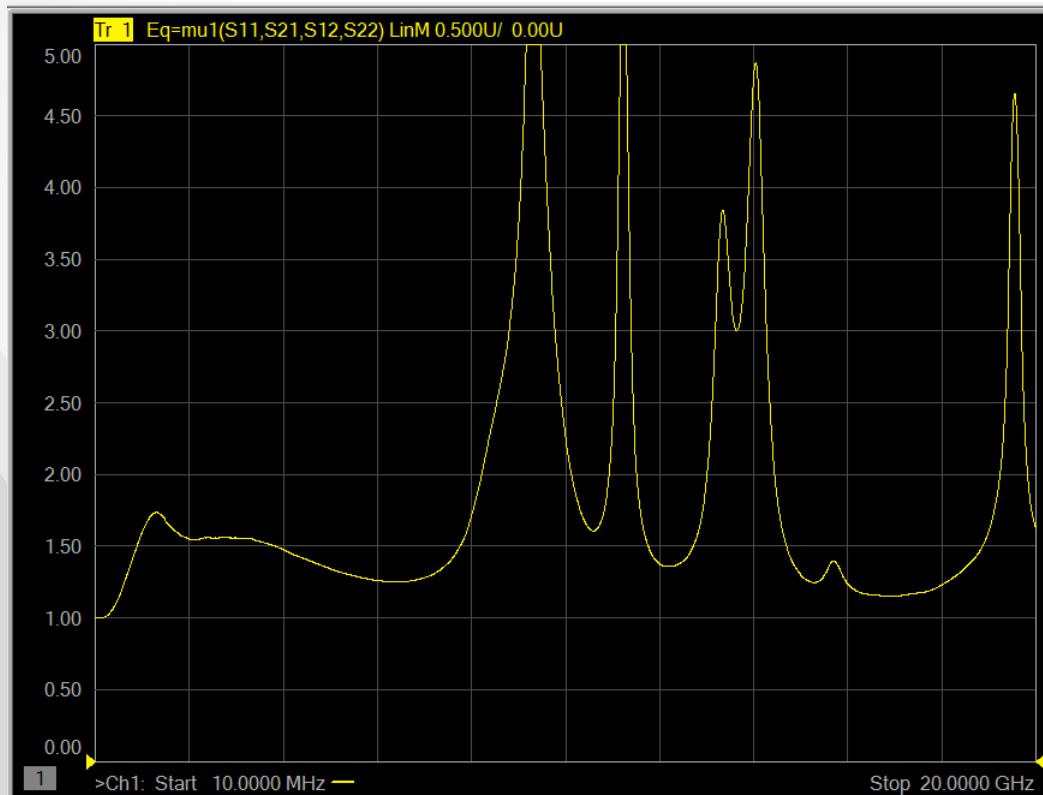
# GRF4142 Schematic:



# GRF4142 Response:



# GRF4142 Stability Mu Factor:



# GRF4142 Data:

Descriptor	Freq MHz	Vdd	Iddq mA	Pout/Ptone dBm	Gain dB	IIP3 dBm	OIP3 dBm	IP1dB dBm	OP1dB dBm	EVB NF
GRF4142 3.3V 50mA	3800	3.3	50.8	0.0	10.9	27.3	38.1	10.0	19.4	1.31
Descriptor	Freq MHz	Vdd	Iddq mA	Pout/Ptone dBm	Gain dB	IIP3 dBm	OIP3 dBm	IP1dB dBm	OP1dB dBm	EVB NF
GRF4142 5V 70mA	3800	5	69.1	0.0	11.1	27.5	38.5	12.0	21.2	1.4



## **Jeff Broxson**

*Vice President - Sales*

Phone (336) 339-9314

[jbroxson@guerrilla-rf.com](mailto:jbroxson@guerrilla-rf.com)

## **Alan Ake**

*Vice President - Applications/Technical Marketing*

Phone (336) 708-4581

[aake@guerrilla-rf.com](mailto:aake@guerrilla-rf.com)

## **Guerrilla RF**

1196 Pleasant Ridge Road, Suite 5  
Greensboro, NC 27409

Phone: (336) 510-7840

[www.guerrilla-rf.com](http://www.guerrilla-rf.com)