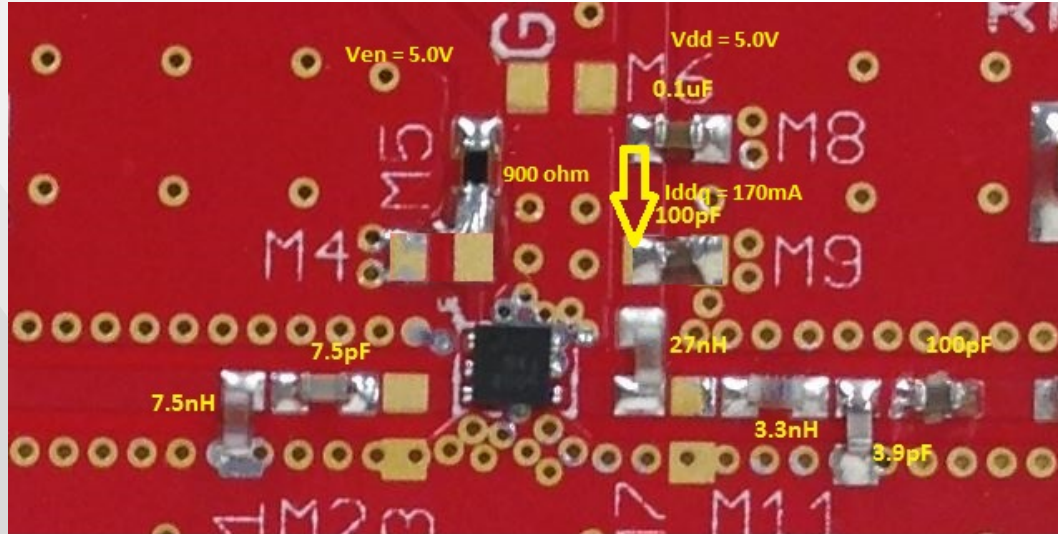


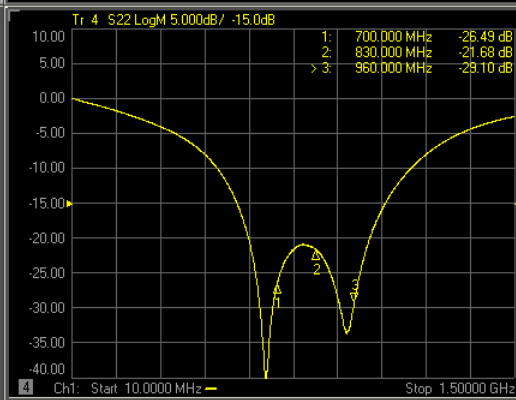
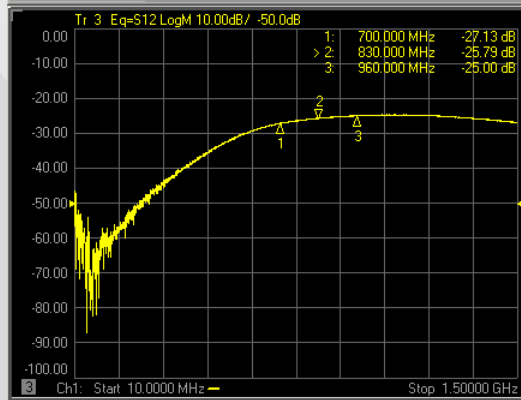
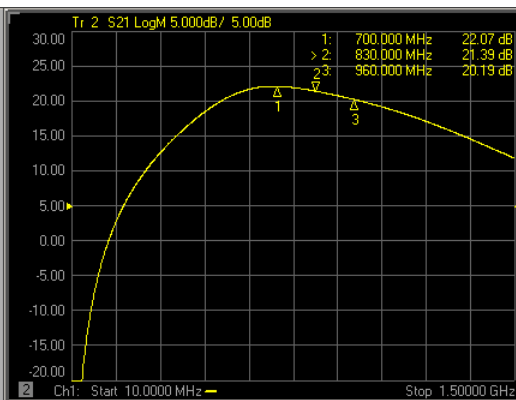
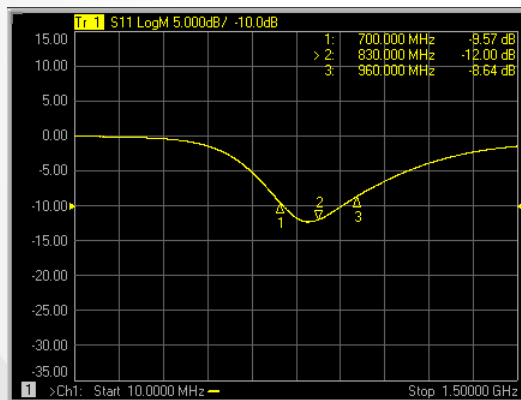


GRF4005 (700 - 960 MHz)

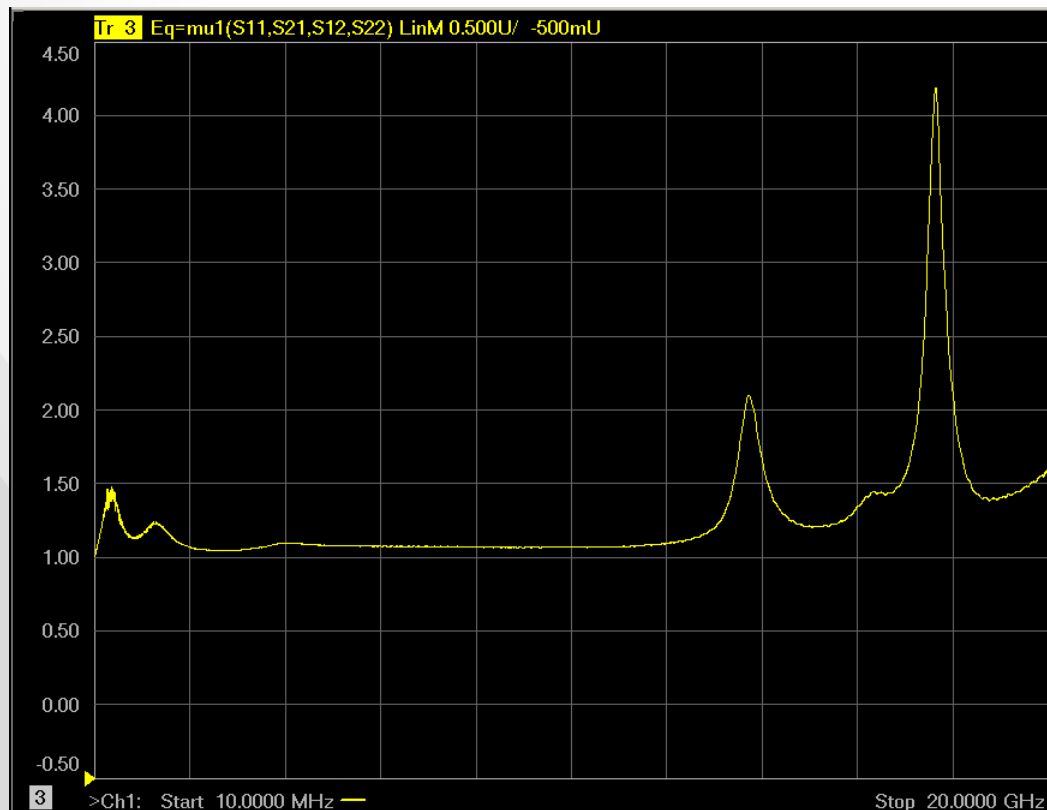
GRF4005 Schematic:



GRF4005 Response:



GRF4005 Stability Mu Factor:



GRF4005 Data:

Device	Freq MHz	Vdd	Iddq mA	Ven	Ien mA	Pout/Ptone dBm	Gain dB	IIP3 dBm	OIP3 dBm	IP1dB dBm	OP1dB dBm	Efficiency @ P1dB %	EVB NF dB
GRF4005 5.0V/170mA	700	5.0	167.6	2.0	5.0	4.0	22.2	16.0	38.2	5.1	26.2	46.0	1.00
GRF4005 5.0V/170mA	830	5.0	167.6	2.0	5.0	4.0	21.6	17.7	39.3	6.0	26.4	44.1	0.85
GRF4005 5.0V/170mA	960	5.0	167.6	2.0	5.0	4.0	20.0	19.7	39.7	7.3	26.6	43.1	0.82



Jeff Broxson

Vice President - Sales

Phone (336) 339-9314

jbroxson@guerrilla-rf.com

Alan Ake

Vice President - Applications/Technical Marketing

Phone (336) 708-4581

aake@guerrilla-rf.com

Guerrilla RF

1196 Pleasant Ridge Road, Suite 5
Greensboro, NC 27409

Phone: (336) 510-7840

www.guerrilla-rf.com