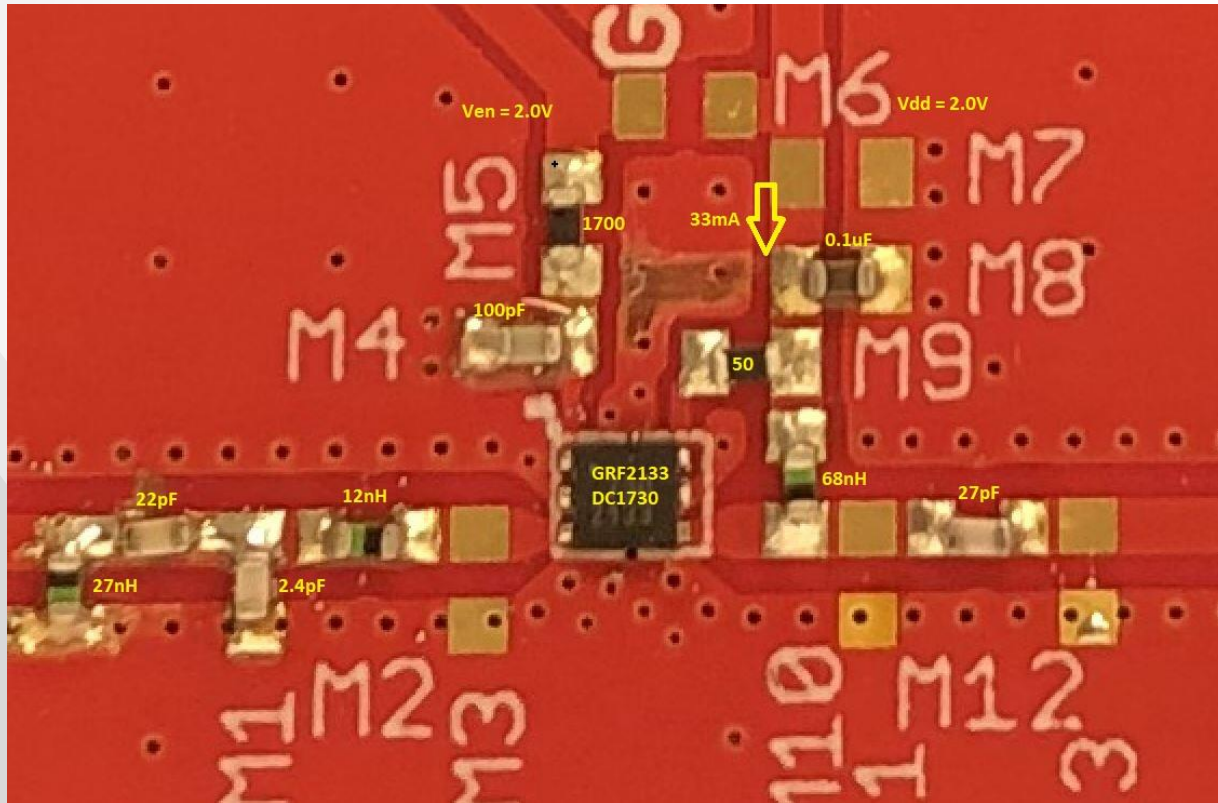


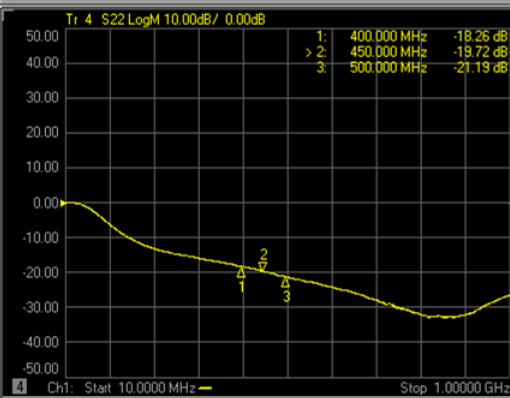
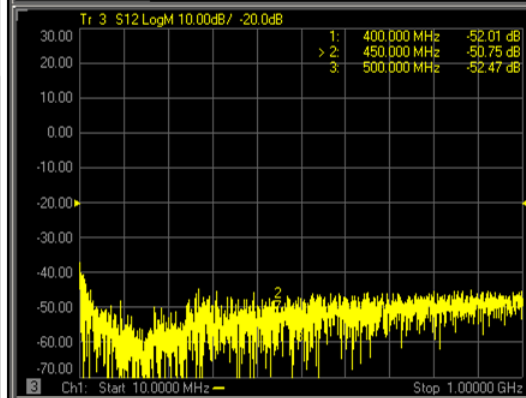
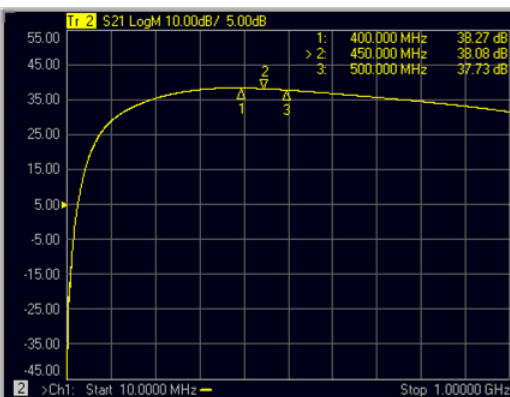
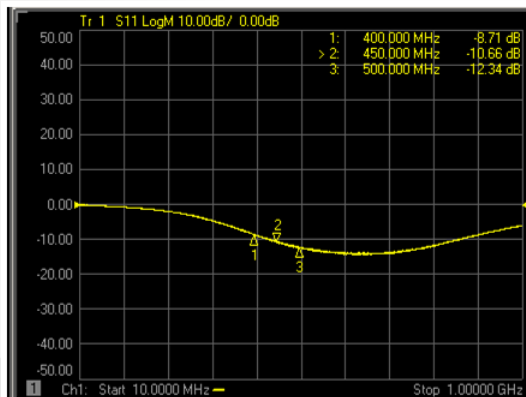


GRF2133 (400 - 500 MHz) vs. Temperature

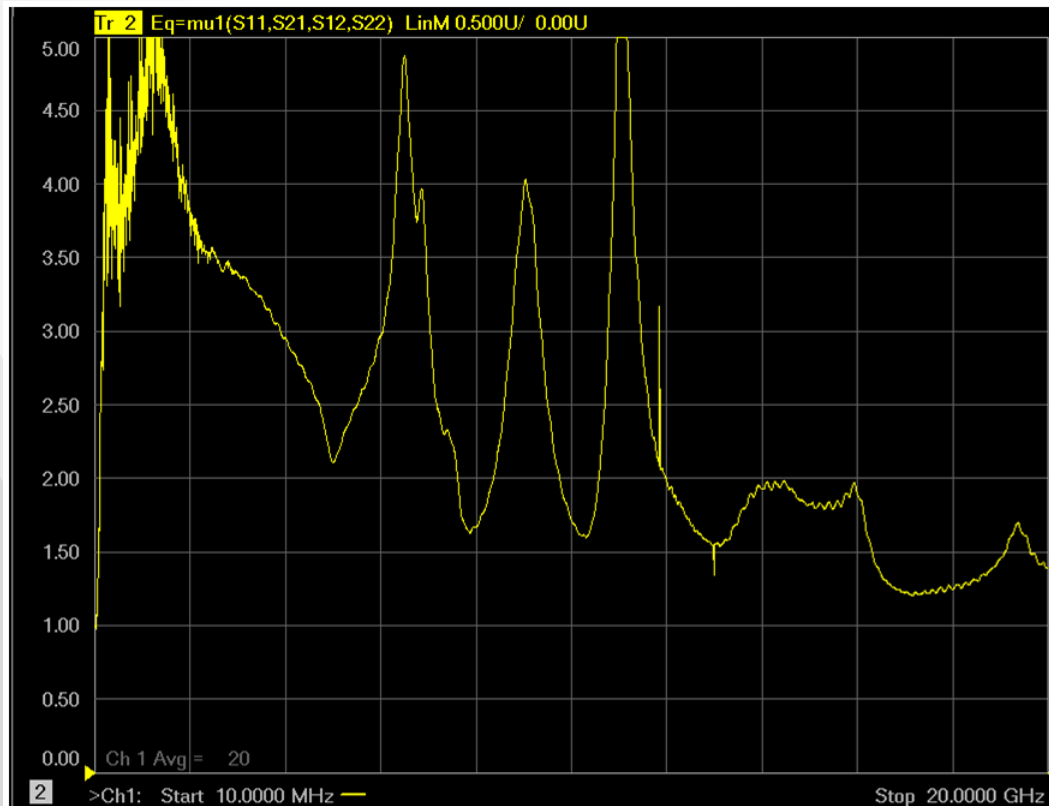
GRF2133 Schematic:



GRF2133 Response:



GRF2133 Stability Mu Factor:



GRF2133 Data:

Temp Deg C	Freq MHz	Vdd V	Ven V	Iddq mA	Pout/Ptone dBm	gain dB	tone spacing MHz	IIP3 dBm	OIP3 dBm	IP1dB dBm	OP1dB dBm	EVB NF dB
-40	400	2.0	2.0	35.7	-5.0	40.9	2.0	-14.1	26.8	-24.6	15.3	x
-40	450	2.0	2.0	35.7	-5.0	40.4	2.0	-13.5	26.9	-24.1	15.3	x
-40	500	2.0	2.0	35.7	-5.0	40.1	2.0	-13.5	26.6	-23.7	15.4	x
25	400	2.0	2.0	35.0	-5.0	39.0	2.0	-14.1	24.9	-24.1	14.1	1.2
25	450	2.0	2.0	35.0	-5.0	38.5	2.0	-13.6	24.9	-23.1	14.5	1.0
25	500	2.0	2.0	35.0	-5.0	38.2	2.0	-13.3	24.9	-22.8	14.5	1.0
85	400	2.0	2.0	31.1	-5.0	37.0	2.0	-13.5	23.5	-23.2	12.9	x
85	450	2.0	2.0	31.1	-5.0	36.6	2.0	-13.0	23.6	-22.4	13.3	x
85	500	2.0	2.0	31.1	-5.0	36.5	2.0	-12.9	23.6	-22.4	13.2	x
105	400	2.0	2.0	29.8	-5.0	36.2	2.0	-13.3	22.9	-22.9	12.4	x
105	450	2.0	2.0	29.8	-5.0	35.9	2.0	-12.9	23.0	-21.8	13.1	x
105	500	2.0	2.0	29.8	-5.0	35.8	2.0	-12.7	23.1	-22.0	12.9	x



Jeff Broxson

Vice President - Sales

Phone (336) 339-9314

jbroxson@guerrilla-rf.com

Alan Ake

Vice President - Applications/Technical Marketing

Phone (336) 708-4581

aake@guerrilla-rf.com

Guerrilla RF

1196 Pleasant Ridge Road, Suite 5
Greensboro, NC 27409

Phone: (336) 510-7840

www.guerrilla-rf.com