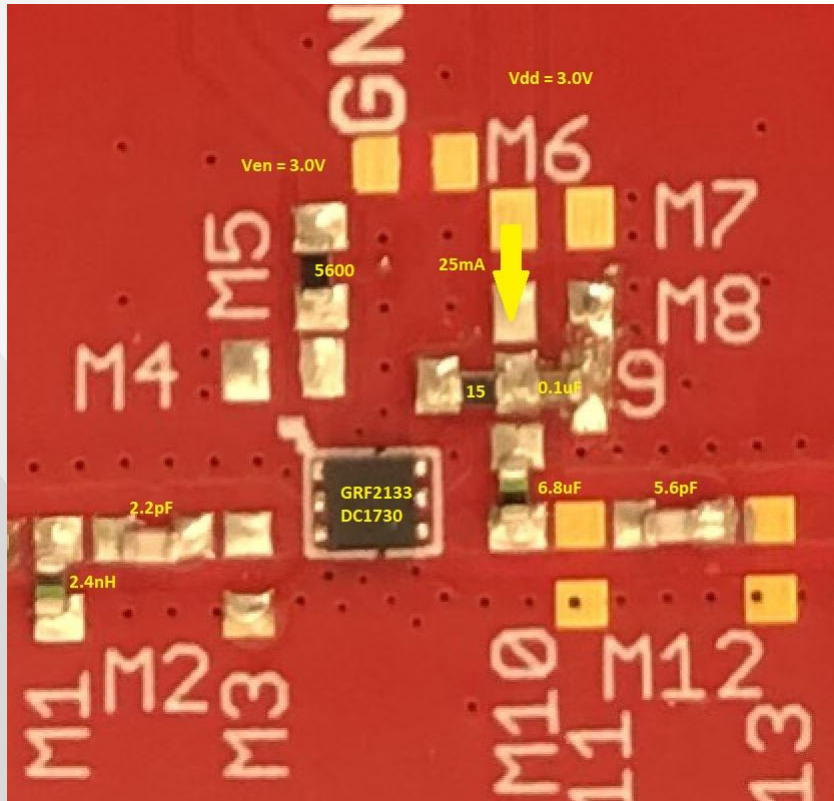


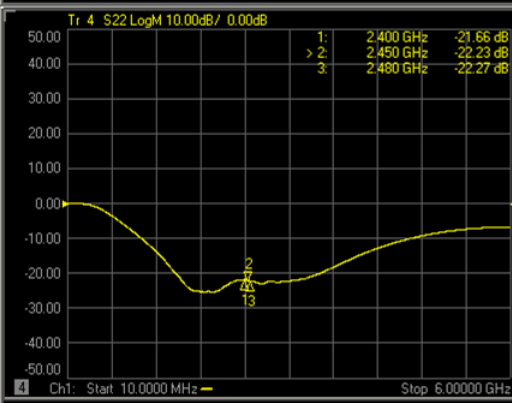
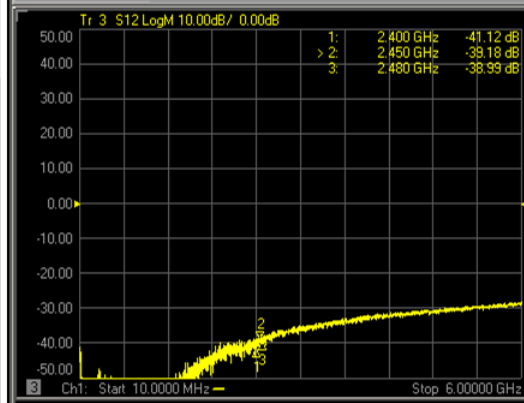
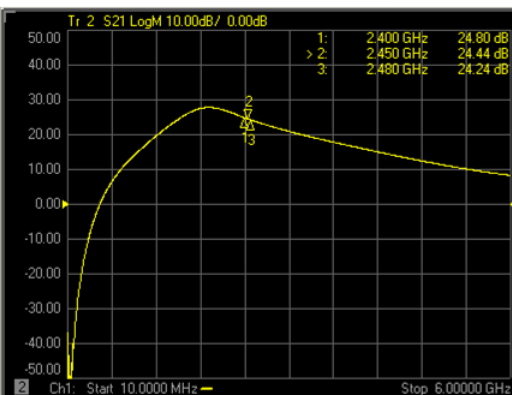
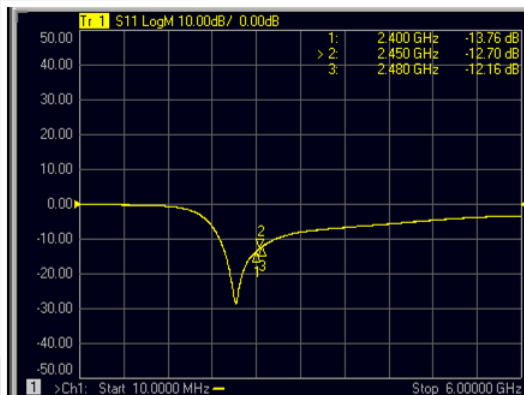


GRF2133 (2400 - 2480 MHz)

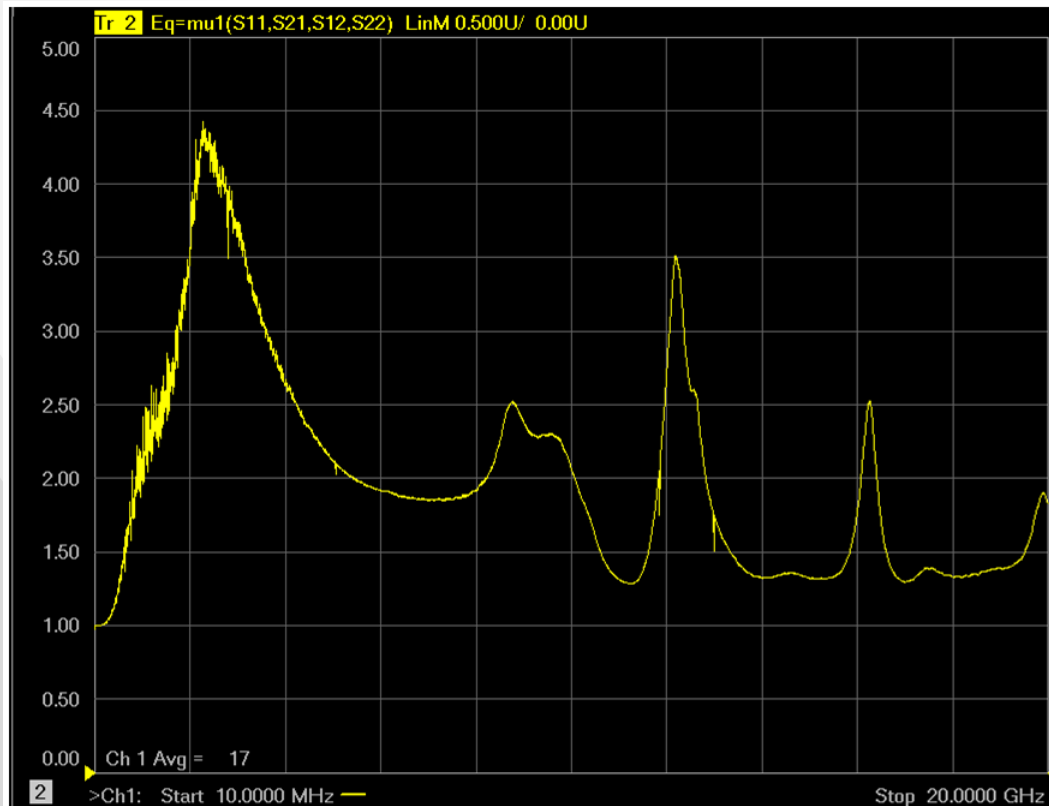
GRF2133 Schematic:



GRF2133 Response:



GRF2133 Stability Mu Factor:



GRF2133 Data:

Bias Point	Freq MHz	Vdd V	Ven V	Iddq mA	Pout/Ptone dBm	gain dB	tone spacing MHz	IIP3 dBm	OIP3 dBm	IP1dB dBm	OP1dB dBm	EVB NF dB
3.0V/25mA	2400	3.0	3.0	25.2	-5.0	24.8	2.0	-1.6	23.2	-6.1	17.7	0.9
3.0V/25mA	2450	3.0	3.0	25.2	-5.0	24.4	2.0	-1.2	23.2	-5.7	17.8	0.9
3.0V/25mA	2480	3.0	3.0	25.2	-5.0	24.1	2.0	-1.0	23.1	-5.6	17.5	0.9



Jeff Broxson

Vice President - Sales

Phone (336) 339-9314

jbroxson@guerrilla-rf.com

Alan Ake

Vice President - Applications/Technical Marketing

Phone (336) 708-4581

aake@guerrilla-rf.com

Guerrilla RF

1196 Pleasant Ridge Road, Suite 5
Greensboro, NC 27409

Phone: (336) 510-7840

www.guerrilla-rf.com