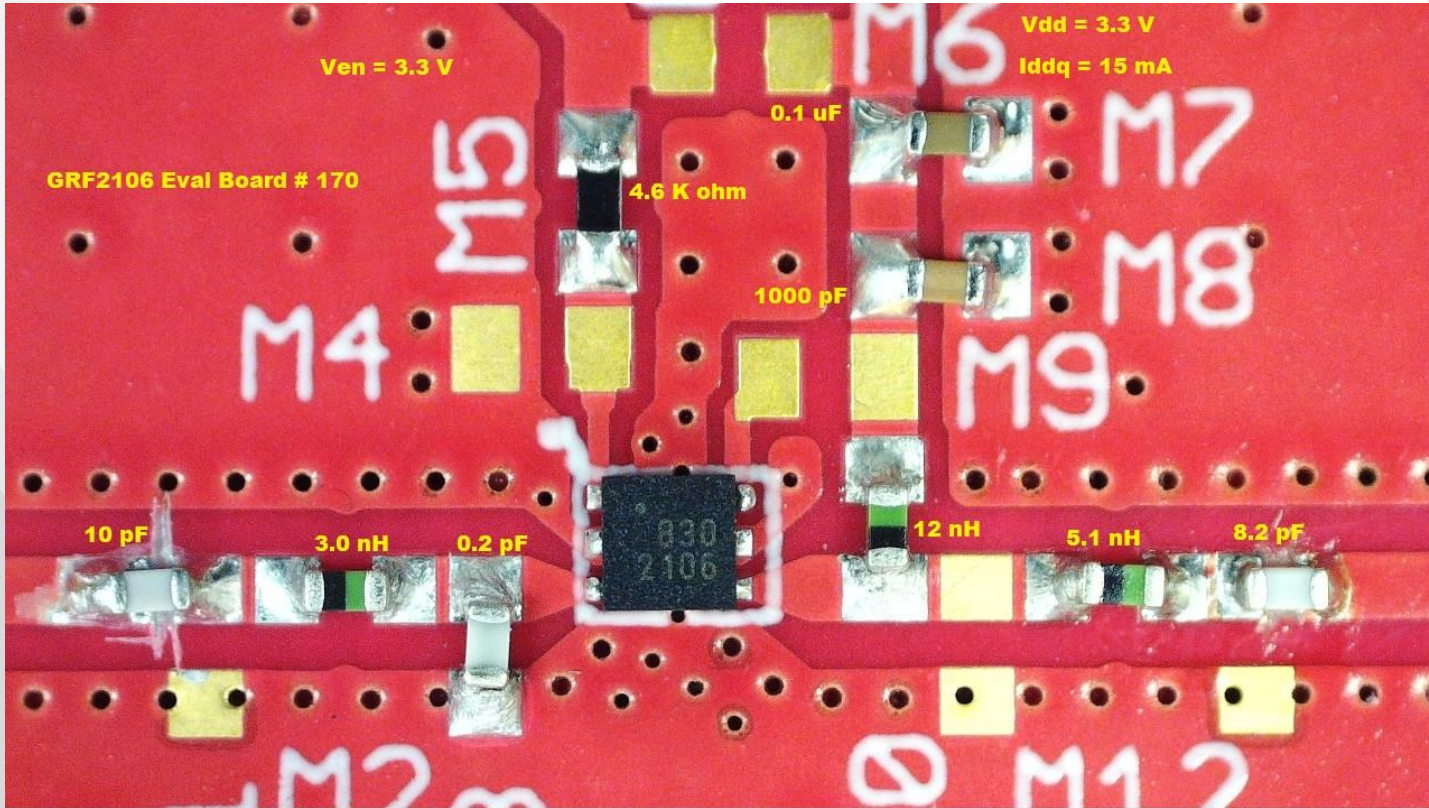




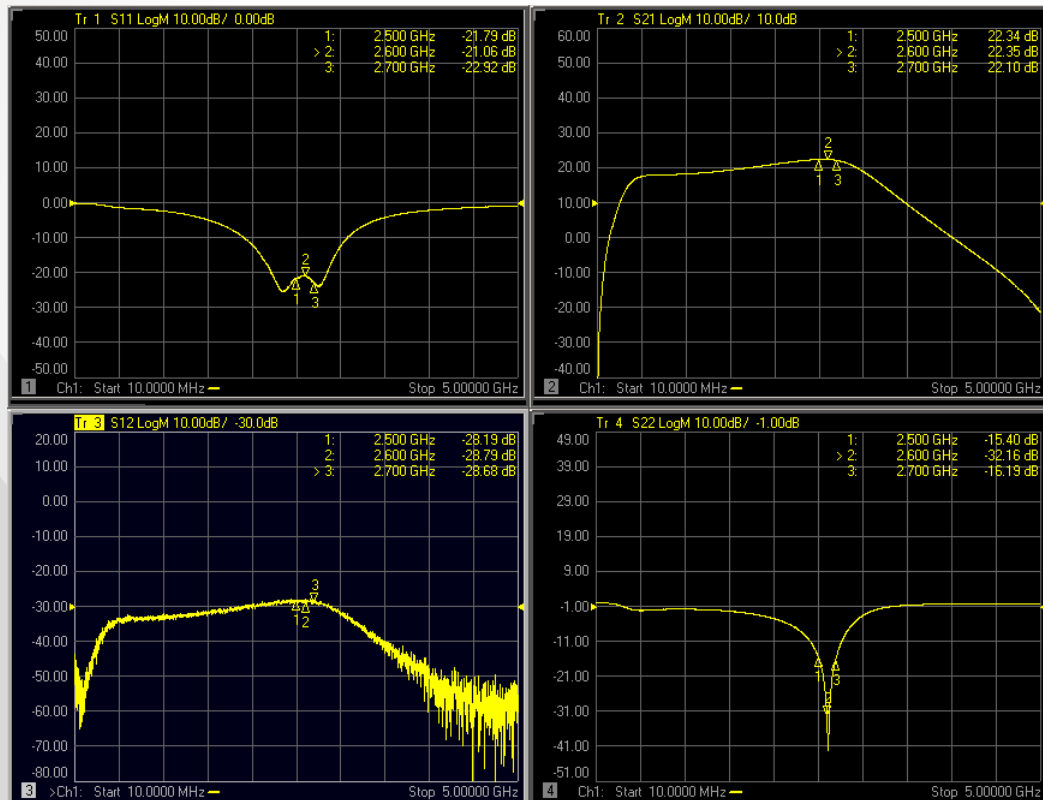
GRF2106 (2500 - 2700 MHz)

Evaluation Board # 170

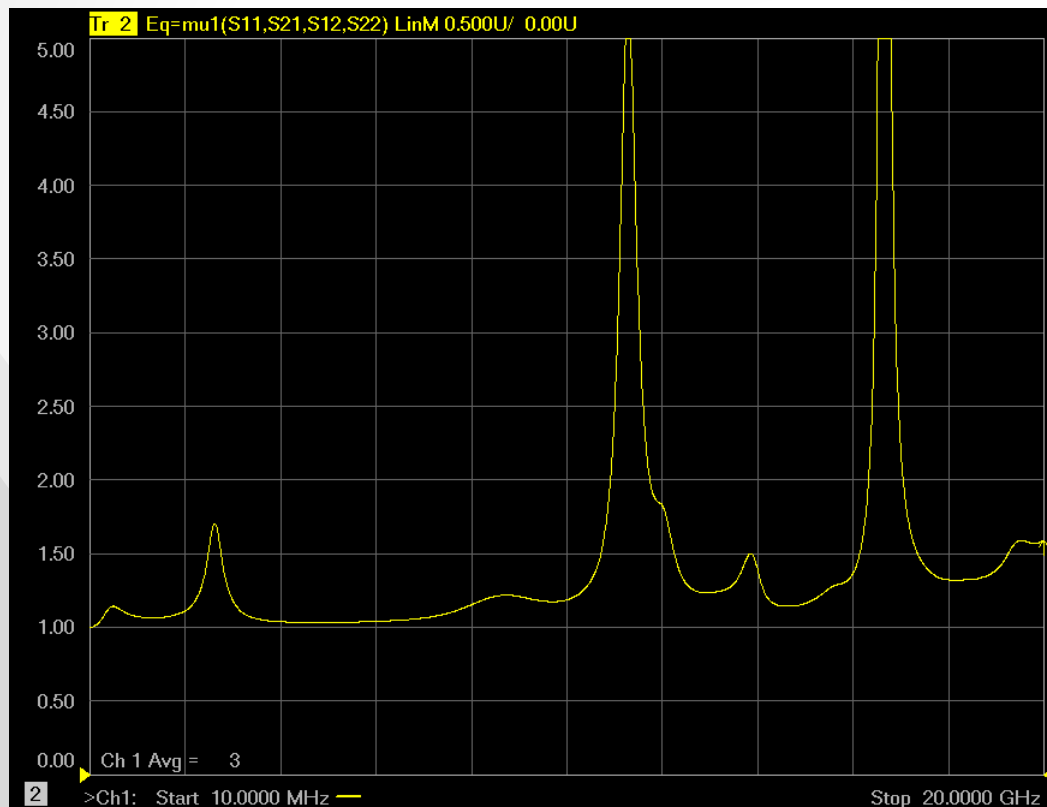
# GRF2106 Schematic:



# GRF2106 Response:



# GRF2106 Stability Mu Factor:



# GRF2106 Data:

Descriptor	Freq MHz	Vdd	Iddq mA	Ven	Ien mA	Pout/Ptone dBm	Gain dB	IIP3 dBm	OIP3 dBm	IP1dB dBm	OP1dB dBm	NF
GRF2106_Eval # 170_3.3V/15mA	2500	3.3	15.9	3.3	1.0	-5.0	22.1	3.2	25.3	-10.0	11.1	0.78
GRF2106_Eval # 170_3.3V/15mA	2600	3.3	15.9	3.3	1.0	-5.0	22.4	3.2	25.5	-10.0	11.3	0.79
GRF2106_Eval # 170_3.3V/15mA	2700	3.3	15.9	3.3	1.0	-5.0	22.2	2.5	24.6	-10.0	11.0	0.82



## **Jeff Broxson**

*Vice President - Sales*

Phone (336) 339-9314

[jbroxson@guerrilla-rf.com](mailto:jbroxson@guerrilla-rf.com)

## **Alan Ake**

*Vice President - Applications/Technical Marketing*

Phone (336) 708-4581

[aake@guerrilla-rf.com](mailto:aake@guerrilla-rf.com)

## **Guerrilla RF**

1196 Pleasant Ridge Road, Suite 5  
Greensboro, NC 27409

Phone: (336) 510-7840

[www.guerrilla-rf.com](http://www.guerrilla-rf.com)