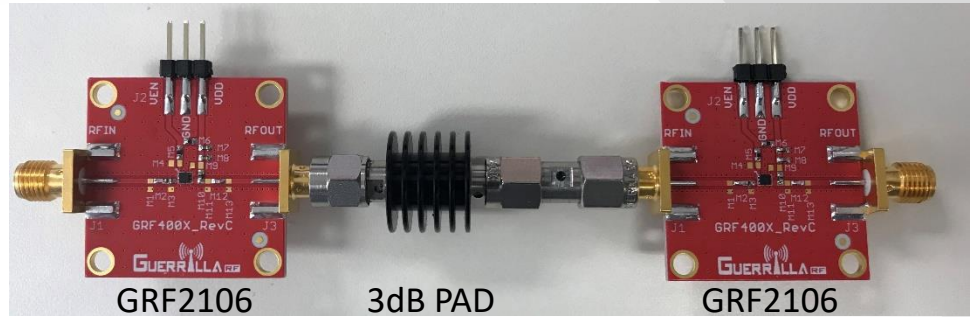
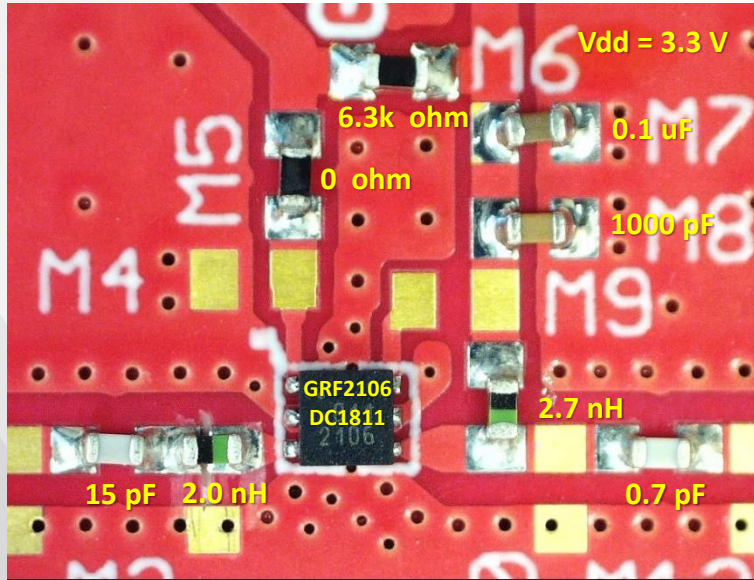


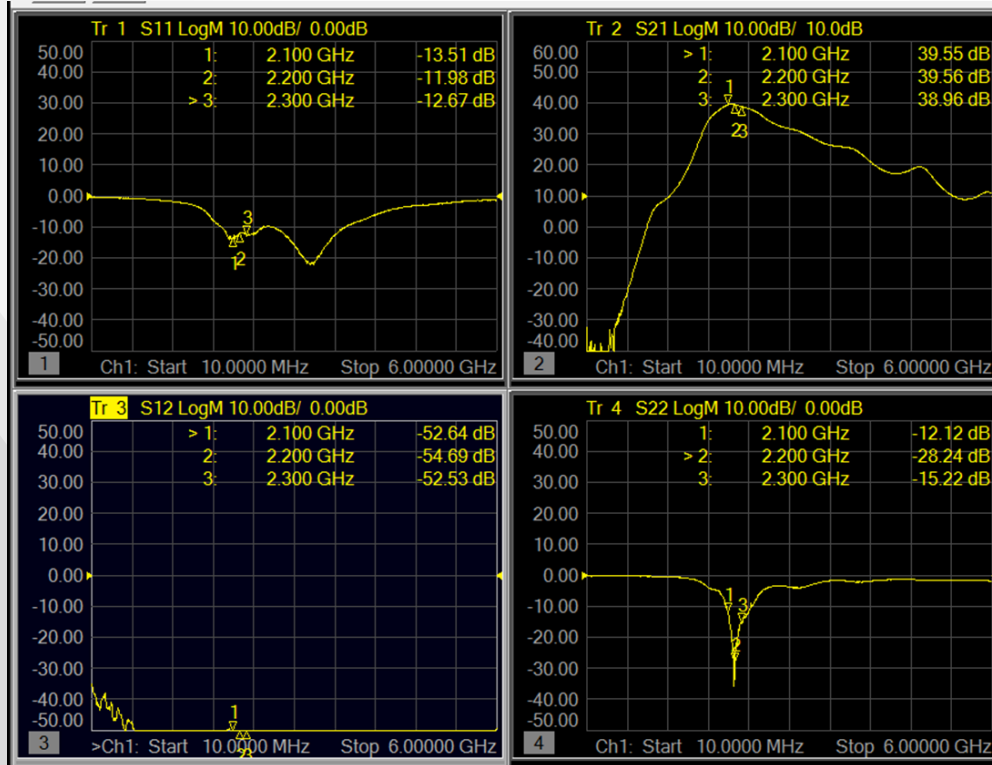


2x GRF2106 Cascade (2100-2300 MHz)

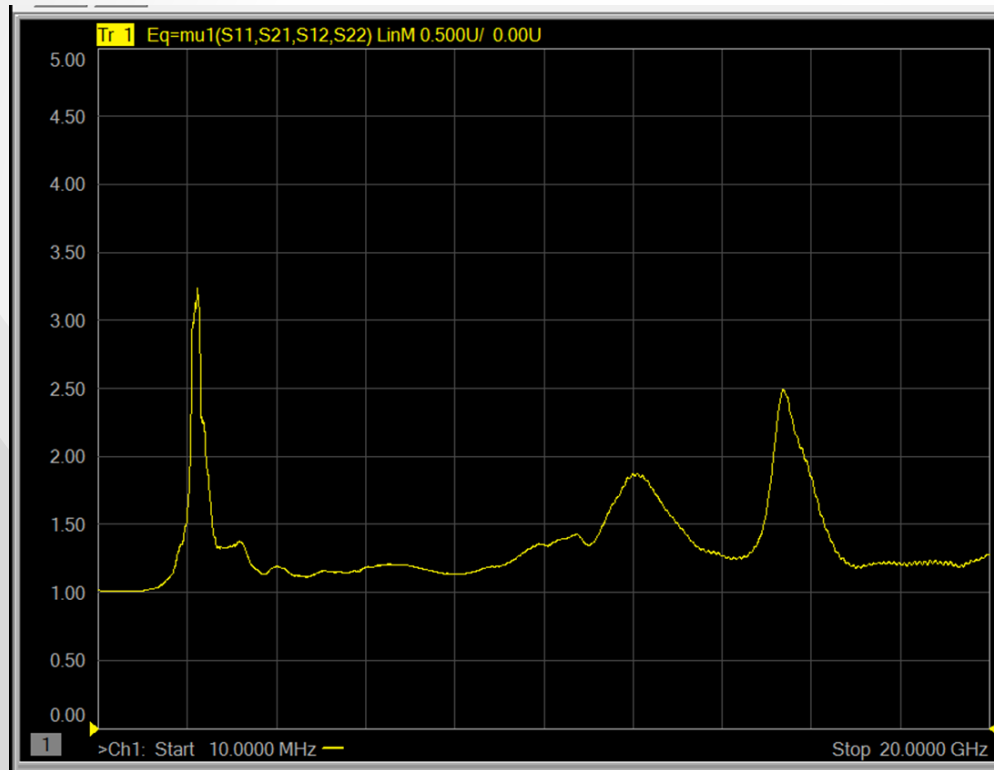
# GRF2106 Schematic:



# GRF2106 Response :



# GRF2106 Stability Mu Factor :



# GRF2106 Data:

Descriptor	Freq MHz	Vdd	Iddq mA	Ven	Ien mA	Pout/Ptone dBm	Gain dB	IIP3 dBm	OIP3 dBm	IP1dB dBm	OP1dB dBm	EVB NF dB
GRF2106+GRF2106_3.3V	2100	3.3	26.1	0.0	0.0	-4.0	39.2	-13.9	25.3	-26.7	11.5	0.76
GRF2106+GRF2106_3.3V	2200	3.3	26.1	0.0	0.0	-4.0	39.3	-14.1	25.2	-26.0	12.1	0.78
GRF2106+GRF2106_3.3V	2300	3.3	26.1	0.0	0.0	-4.0	39.2	-13.9	25.3	-25.9	12.2	0.78

\* Both GRF2106 are tied to the same power supply



**Jeff Broxson**

*Vice President - Sales*

Phone (336) 339-9314

[jbroxson@guerrilla-rf.com](mailto:jbroxson@guerrilla-rf.com)

**Alan Ake**

*Vice President - Applications/Technical Marketing*

Phone (336) 708-4581

[aake@guerrilla-rf.com](mailto:aake@guerrilla-rf.com)

**Guerrilla RF**

1196 Pleasant Ridge Road, Suite 5  
Greensboro, NC 27409

Phone: (336) 510-7840

[www.guerrilla-rf.com](http://www.guerrilla-rf.com)