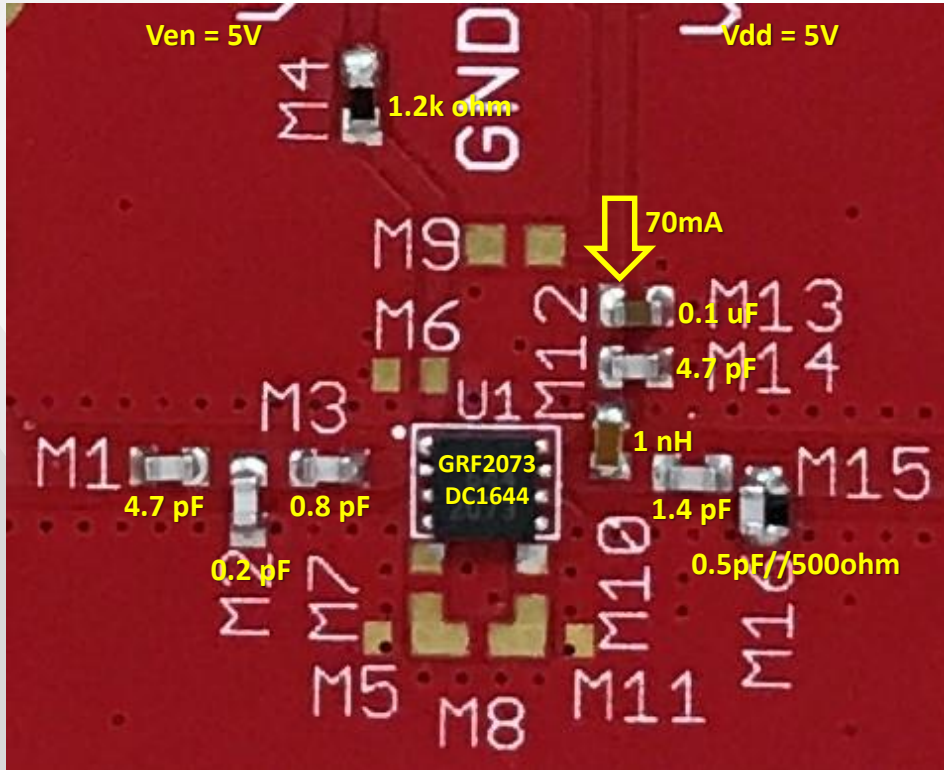


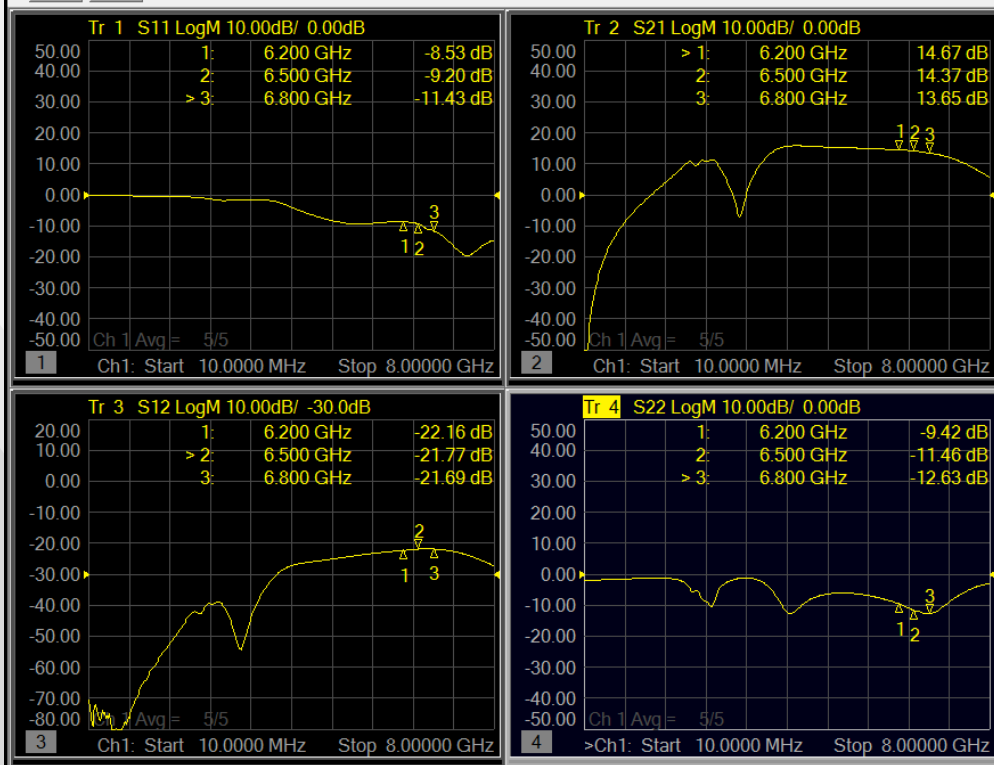


GRF2073 (6200 – 6800 MHz)

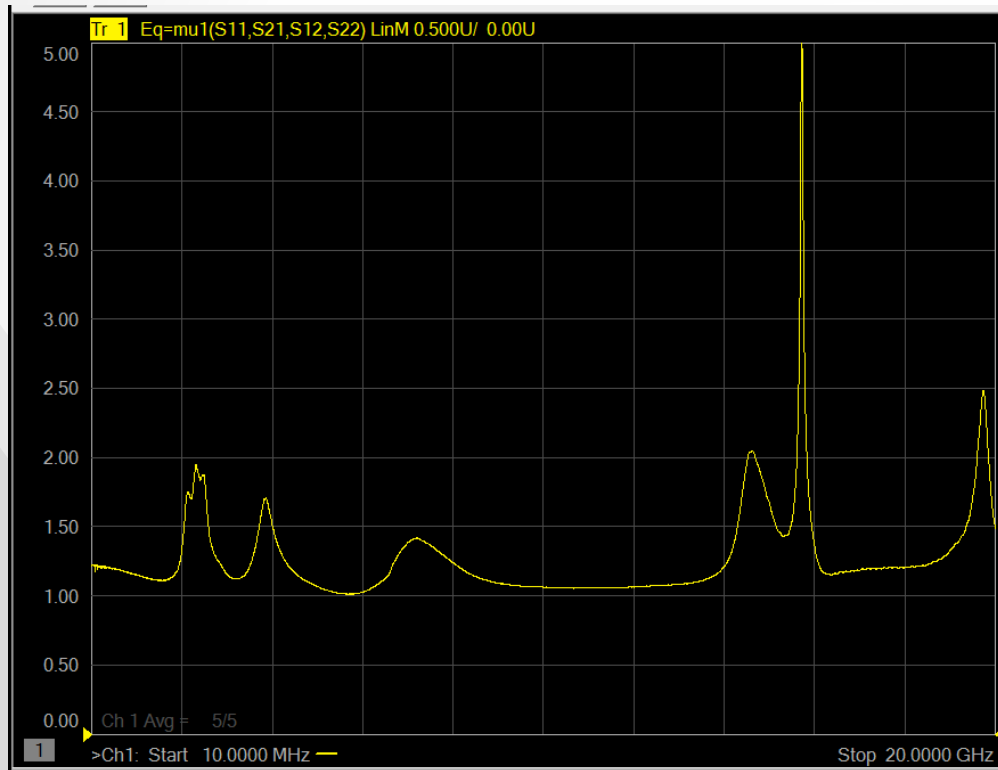
GRF2073 Schematic:



GRF2073 Response :



GRF2073 Stability Mu Factor :



GRF2073 Data:

Descriptor	Freq MHz	Vdd	Iddq mA	Ven	len mA	Gain dB	IP1dB dBm	OP1dB dBm	EVB NF dB
GRF2073_5V/70mA	6200	5.0	69.8	5.0	2.7	14.7	2.2	15.9	1.05
GRF2073_5V/70mA	6500	5.0	69.8	5.0	2.7	14.4	1.4	14.8	1.12
GRF2073_5V/70mA	6800	5.0	69.8	5.0	2.7	13.7	1.5	14.2	1.17



Jeff Broxson

Vice President - Sales

Phone (336) 339-9314

jbroxson@guerrilla-rf.com

Alan Ake

Vice President - Applications/Technical Marketing

Phone (336) 708-4581

aake@guerrilla-rf.com

Guerrilla RF

1196 Pleasant Ridge Road, Suite 5
Greensboro, NC 27409

Phone: (336) 510-7840

www.guerrilla-rf.com