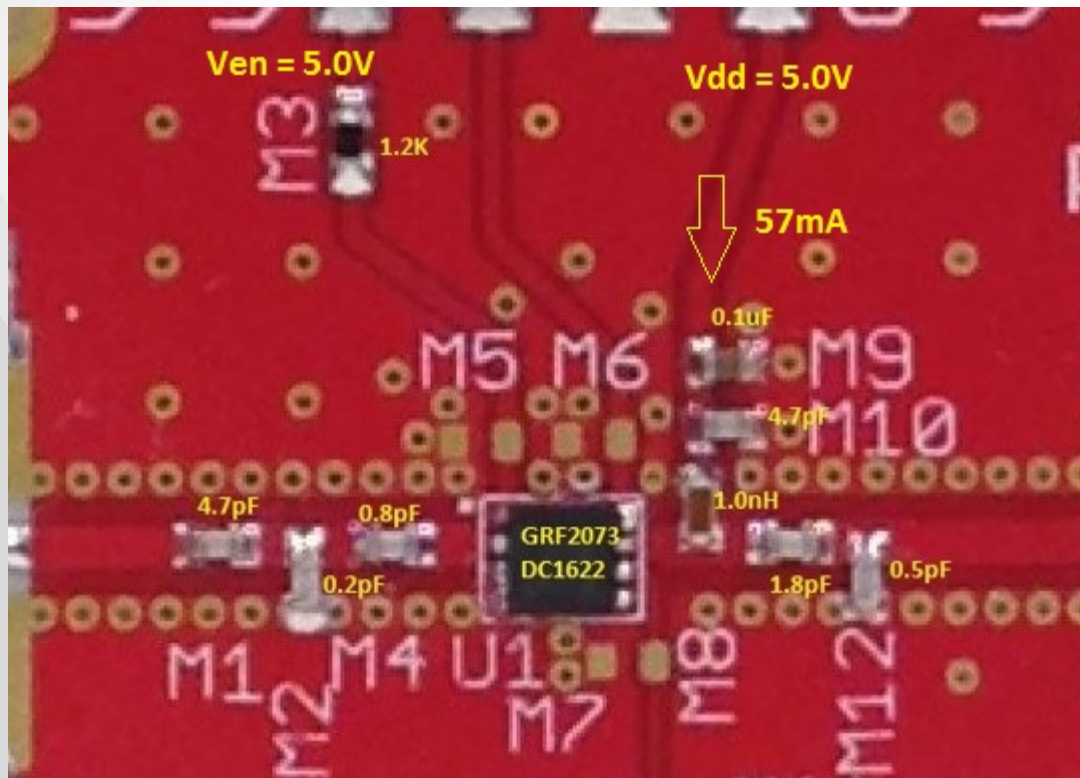


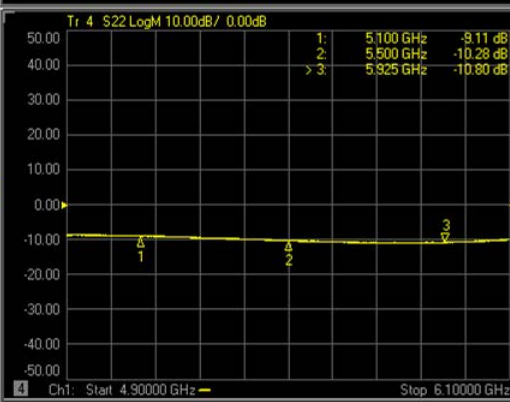
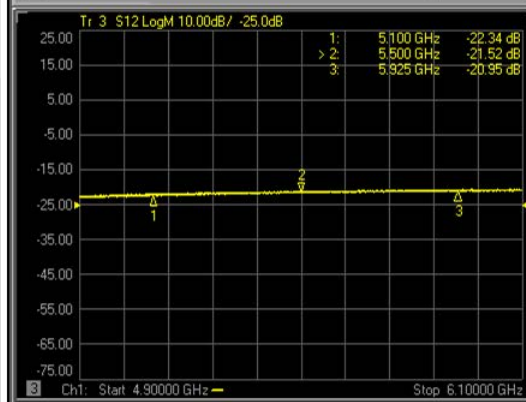
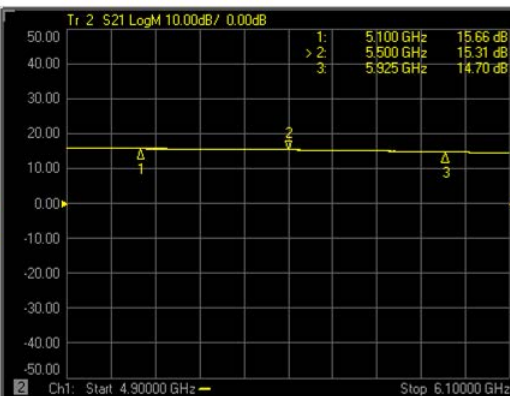
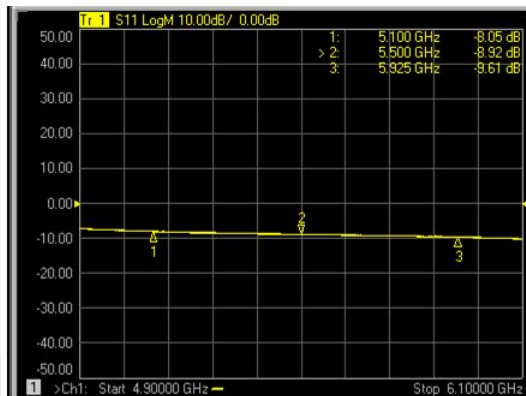


GRF2073 (5100 - 5925 MHz)

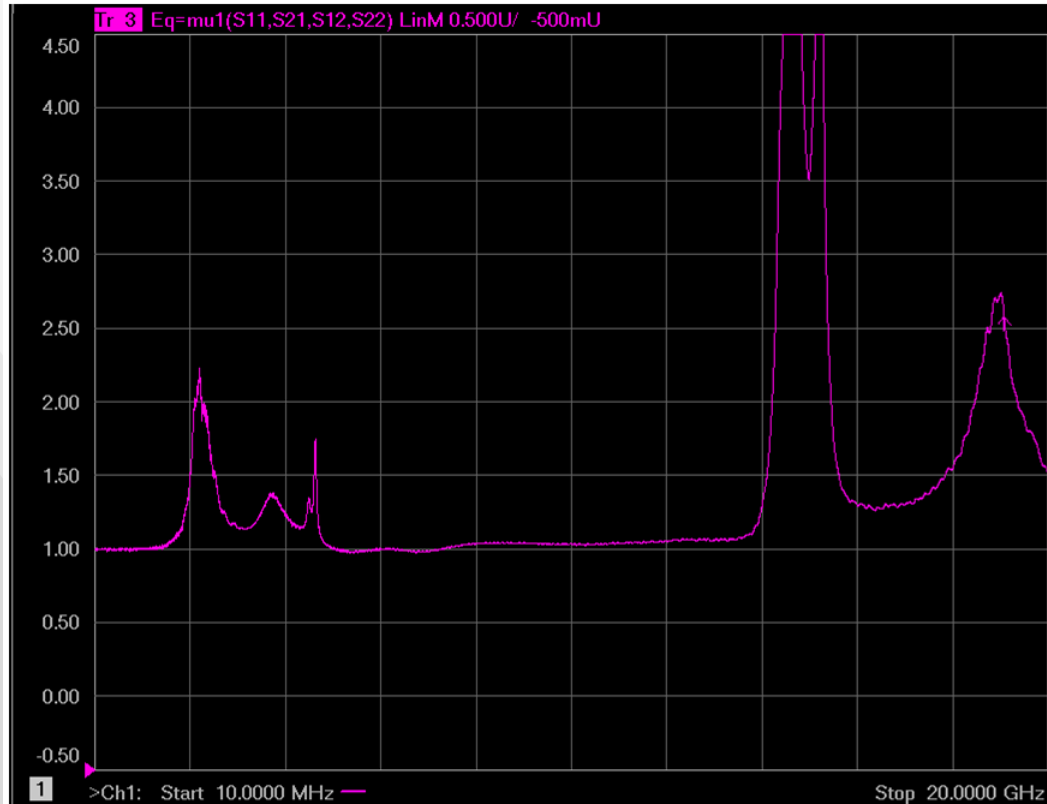
# GRF2073 Schematic:



# GRF2073 Response:



# GRF2073 Stability Mu Factor:



# GRF2073 Data:

Descriptor	Freq MHz	Vdd	Iddq mA	Ven	Ien mA	Pout/Ptone dBm	Gain dB	IIP3 dBm	OIP3 dBm	IP1dB dBm	OP1dB dBm	EVB NF dB
GRF2073 bd177	5100	5.0	57.0	5.0	3.4	4.0	15.7	20.2	36.0	3.3	18.0	0.86
GRF2073 bd177	5500	5.0	57.0	5.0	3.4	4.0	15.3	21.3	36.6	3.4	17.7	1.00
GRF2073 bd177	5925	5.0	57.0	5.0	3.5	4.0	14.7	20.5	35.2	2.9	16.6	1.02



## **Jeff Broxson**

*Vice President - Sales*

Phone (336) 339-9314

[jbroxson@guerrilla-rf.com](mailto:jbroxson@guerrilla-rf.com)

## **Alan Ake**

*Vice President - Applications/Technical Marketing*

Phone (336) 708-4581

[aake@guerrilla-rf.com](mailto:aake@guerrilla-rf.com)

## **Guerrilla RF**

1196 Pleasant Ridge Road, Suite 5  
Greensboro, NC 27409

Phone: (336) 510-7840

[www.guerrilla-rf.com](http://www.guerrilla-rf.com)