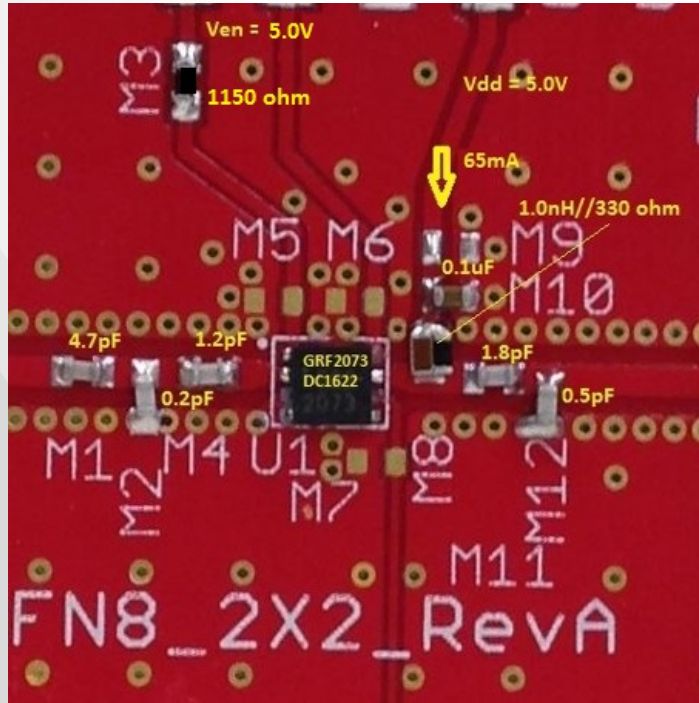


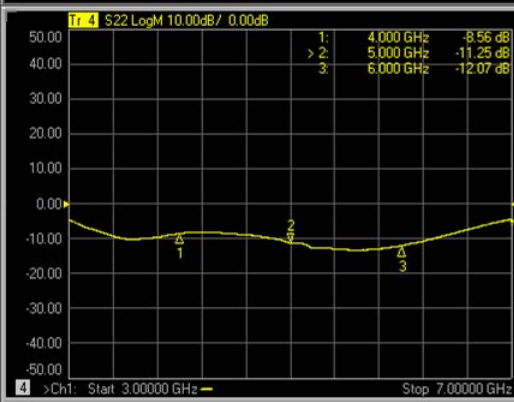
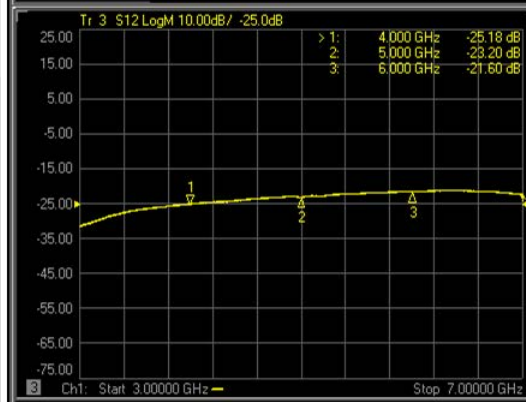
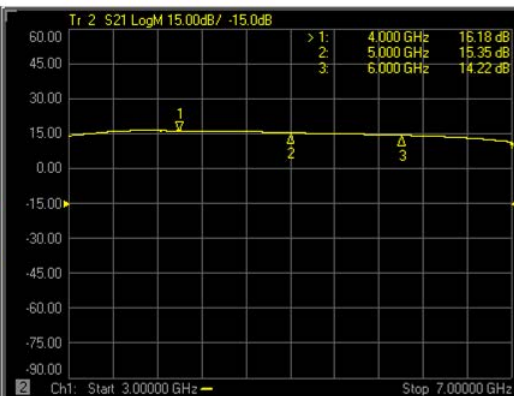
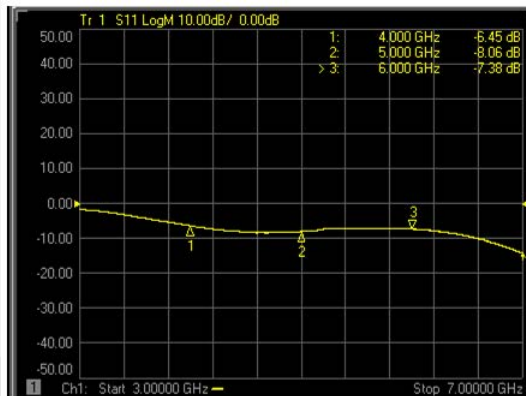


GRF2073 (4000 - 6000 MHz)

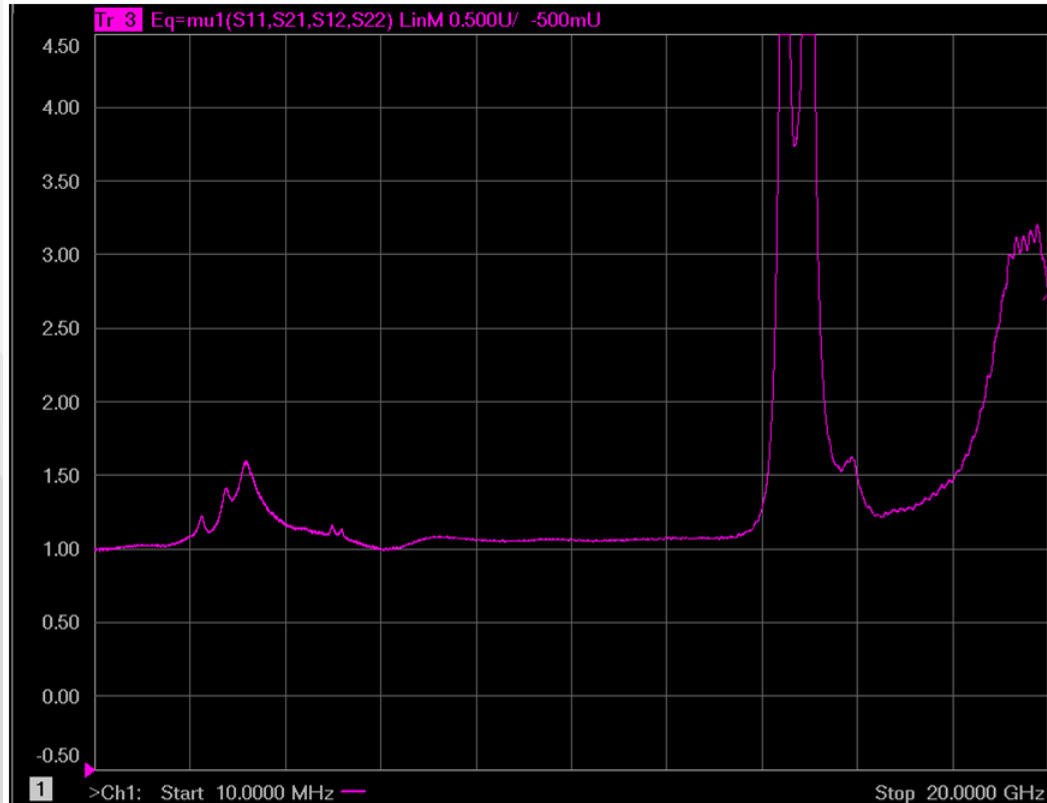
GRF2073 Schematic:



GRF2073 Response:



GRF2073 Stability Mu Factor:



GRF2073 Data:

Bias Point	Freq MHz	Vdd	Iddq mA	Ven	Ien mA	Pout/Ptone dBm	Gain dB	IIP3 dBm	OIP3 dBm	IP1dB dBm	OP1dB dBm	EVB NF dB
5.0V/65mA	4000	5.0	65.1	5.0	4.0	0.0	16.2	21.1	37.3	4.2	19.4	0.92
5.0V/65mA	5000	5.0	65.1	5.0	4.0	0.0	15.4	21.3	36.7	3.9	18.3	1.00
5.0V/65mA	6000	5.0	65.1	5.0	4.0	0.0	14.2	23.3	37.5	3.3	16.5	1.13



Jeff Broxson

Vice President - Sales

Phone (336) 339-9314

jbroxson@guerrilla-rf.com

Alan Ake

Vice President - Applications/Technical Marketing

Phone (336) 708-4581

aake@guerrilla-rf.com

Guerrilla RF

1196 Pleasant Ridge Road, Suite 5
Greensboro, NC 27409

Phone: (336) 510-7840

www.guerrilla-rf.com