

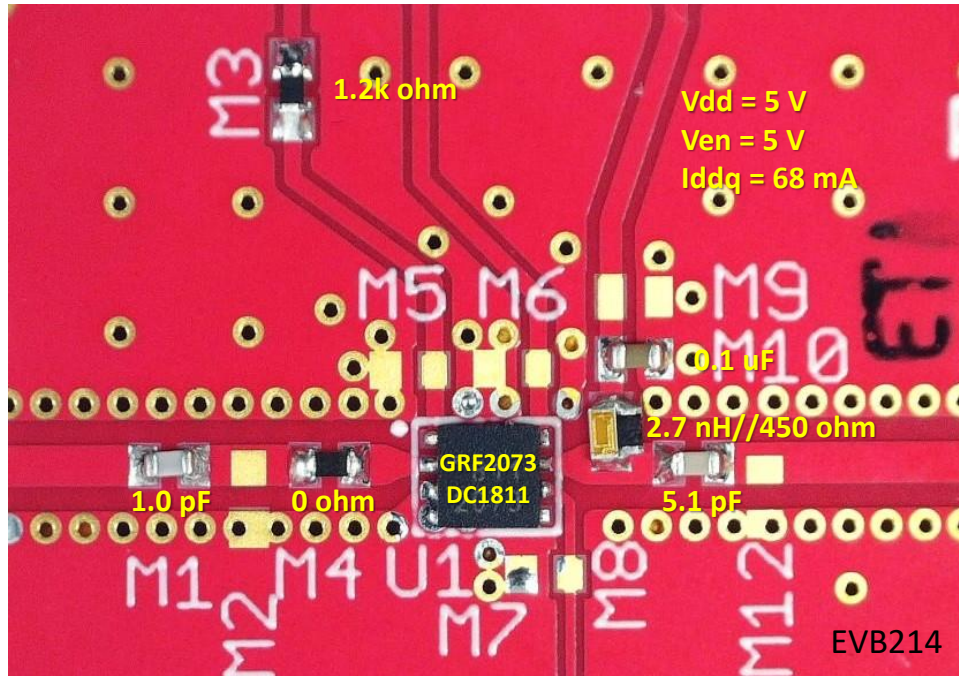


GRF2073 (3800-4200MHz)

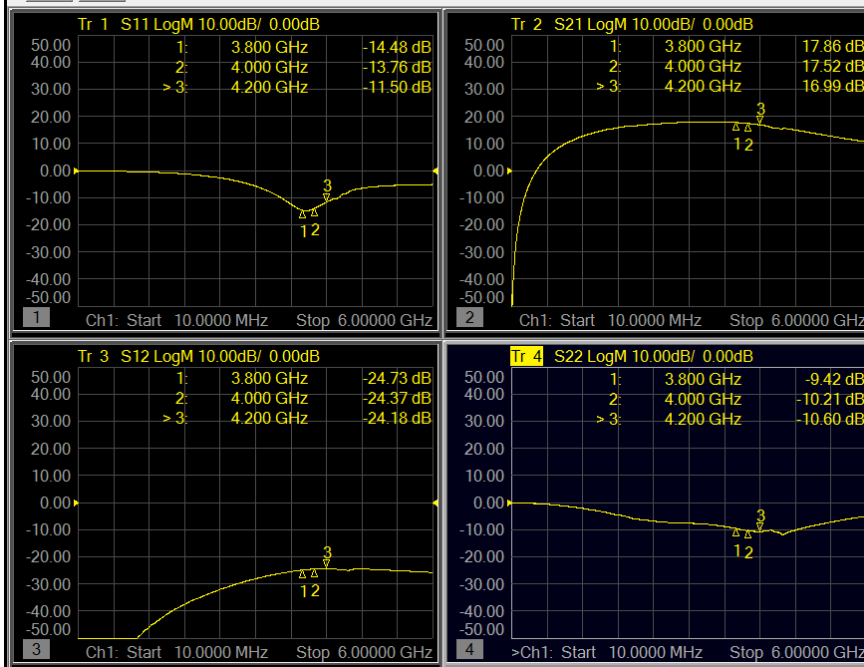
EVB214

2/11/2021

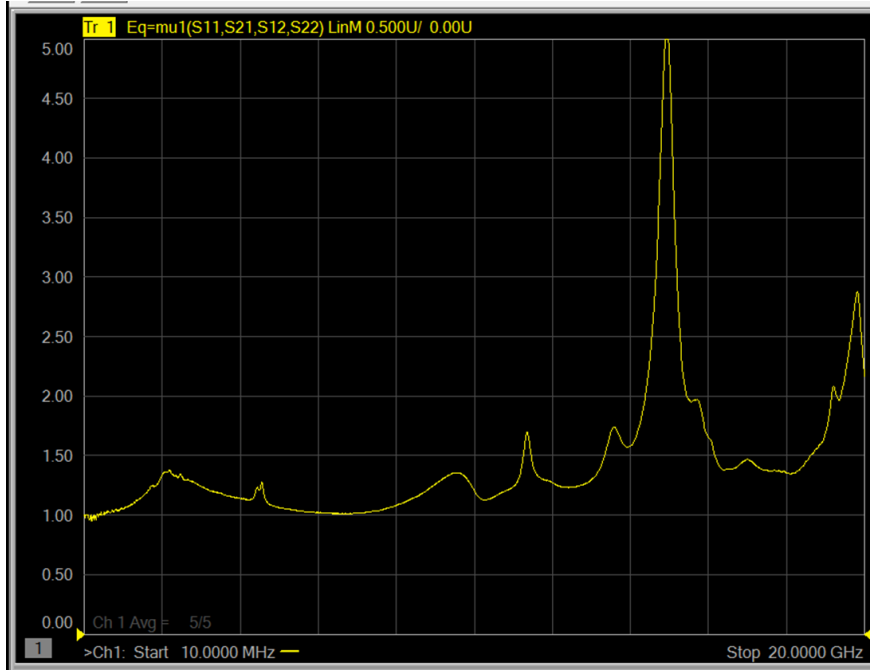
GRF2073 Schematic:



GRF2073 Response:



GRF2073 Stability Mu Factor:



GRF2073 Data:

Descriptor	Freq MHz	Vdd	Iddq mA	Ven	Ien mA	Pout/Ptone dBm	Gain dB	IIP3 dBm	OIP3 dBm	IP1dB dBm	OP1dB dBm	EVB NF dB
GRF2073_#214_5V	3800	5.0	67.9	5.0	2.6	-0.1	17.8	19.5	37.3	2.3	19.3	0.69
GRF2073_#214_5V	4000	5.0	67.9	5.0	2.6	0.0	17.4	18.6	35.9	2.0	18.5	0.71
GRF2073_#214_5V	4200	5.0	67.9	5.0	2.6	0.0	17.1	18.7	35.8	2.1	18.3	0.70



Jeff Broxson

Vice President - Sales

Phone (336) 339-9314

jbroxson@guerrilla-rf.com

Alan Ake

Vice President - Applications/Technical Marketing

Phone (336) 708-4581

aake@guerrilla-rf.com

Guerrilla RF

1196 Pleasant Ridge Road, Suite 5

Greensboro, NC 27409

Phone: (336) 510-7840

www.guerrilla-rf.com