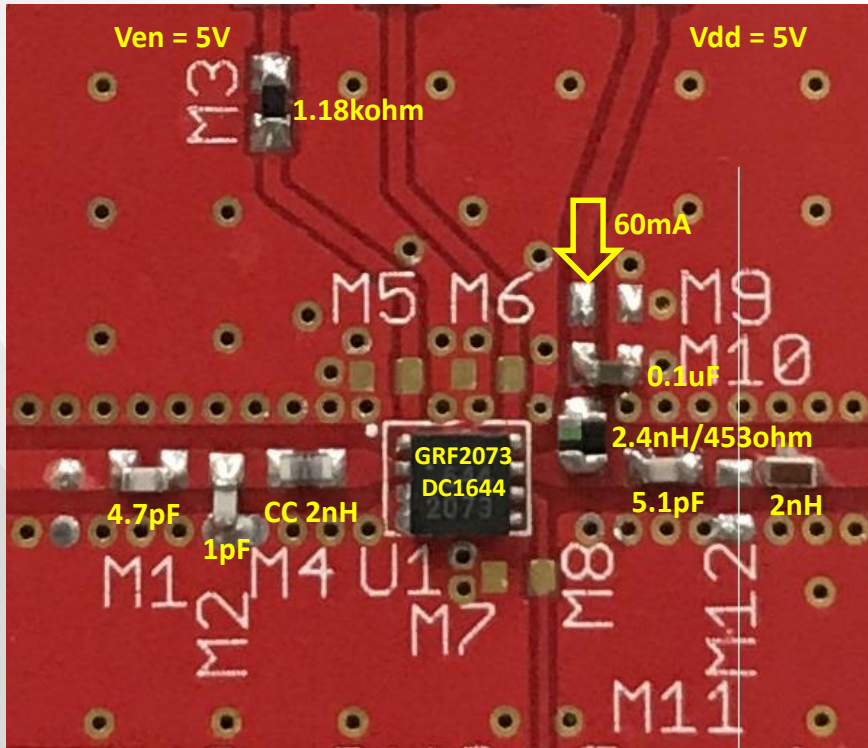


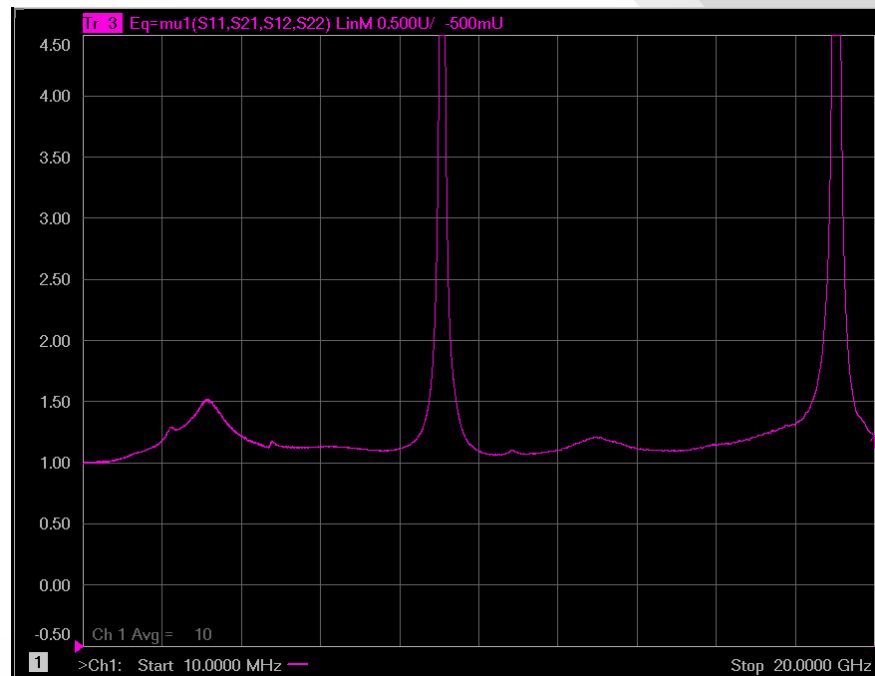
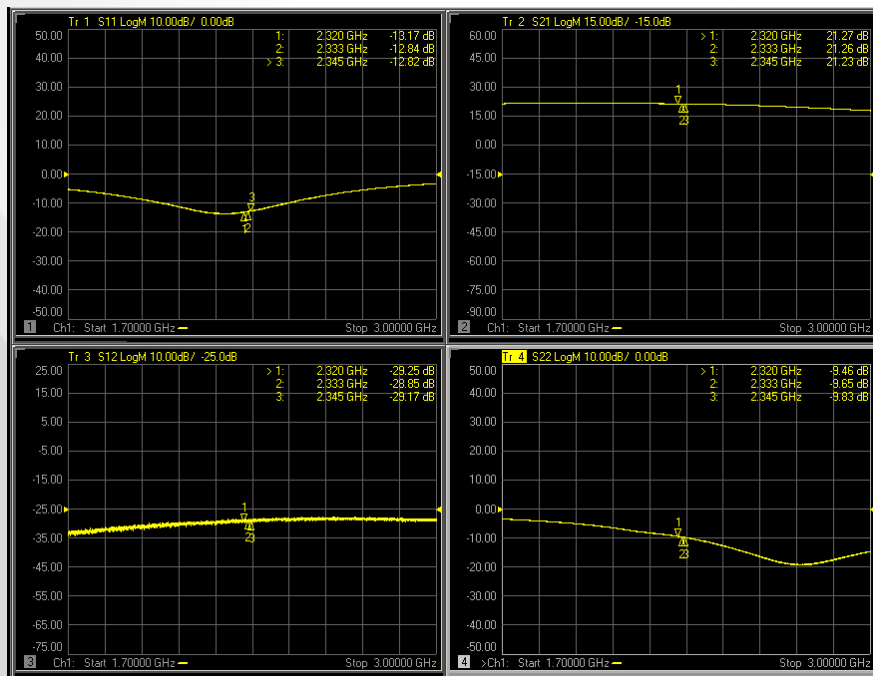


GRF2073 (2320 – 2345 MHz)

# GRF2073 Schematic:



# GRF2073 Response & Stability Mu Factor : 60mA



# GRF2073 Data:

Descriptor	Freq MHz	Vdd	Iddq mA	Ven	Ien mA	Pout/Ptone dBm	Gain dB	IIP3 dBm	OIP3 dBm	IP1dB dBm	OP1dB dBm	EVB NF dB
GRF2073 5V/60mA	2320	5.0	62.9	5.0	2.8	0.0	21.2	11.4	32.6	-2.2	18.0	0.49
GRF2073 5V/60mA	2333	5.0	62.8	5.0	2.8	0.0	21.2	11.3	32.5	-2.5	17.8	0.49
GRF2073 5V/60mA	2345	5.0	62.8	5.0	2.8	0.0	21.3	11.0	32.3	-2.6	17.7	0.49



## **Jeff Broxson**

*Vice President - Sales*

Phone (336) 339-9314

[jbroxson@guerrilla-rf.com](mailto:jbroxson@guerrilla-rf.com)

## **Alan Ake**

*Vice President - Applications/Technical Marketing*

Phone (336) 708-4581

[aake@guerrilla-rf.com](mailto:aake@guerrilla-rf.com)

## **Guerrilla RF**

1196 Pleasant Ridge Road, Suite 5  
Greensboro, NC 27409

Phone: (336) 510-7840

[www.guerrilla-rf.com](http://www.guerrilla-rf.com)