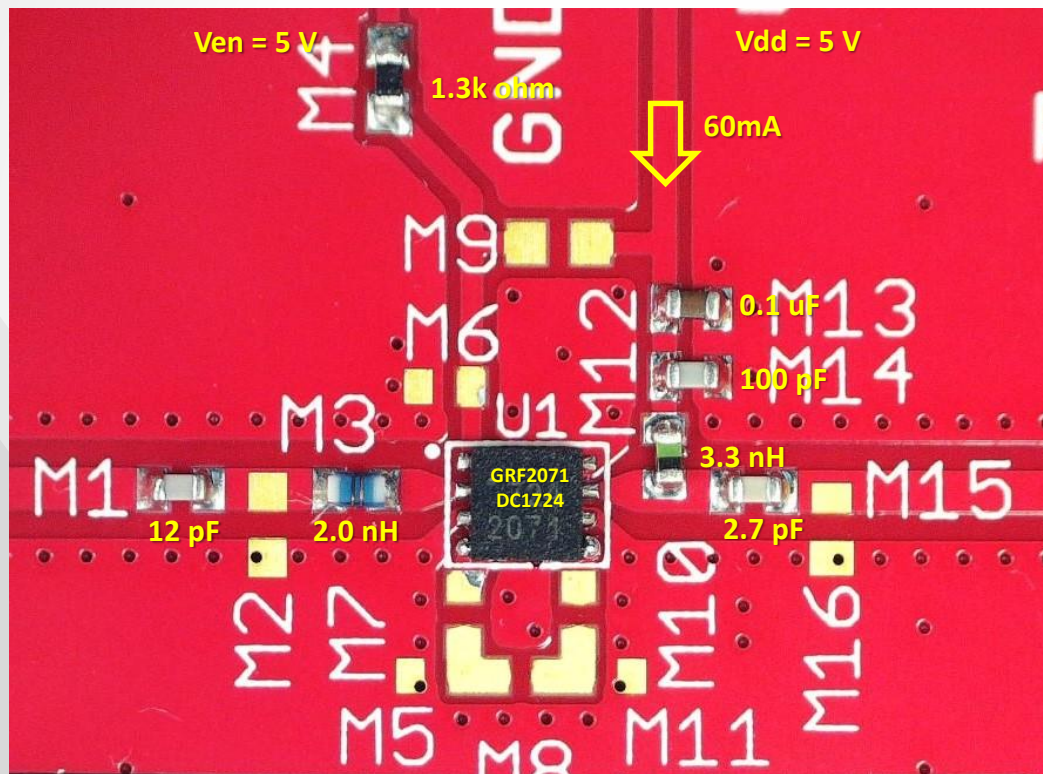


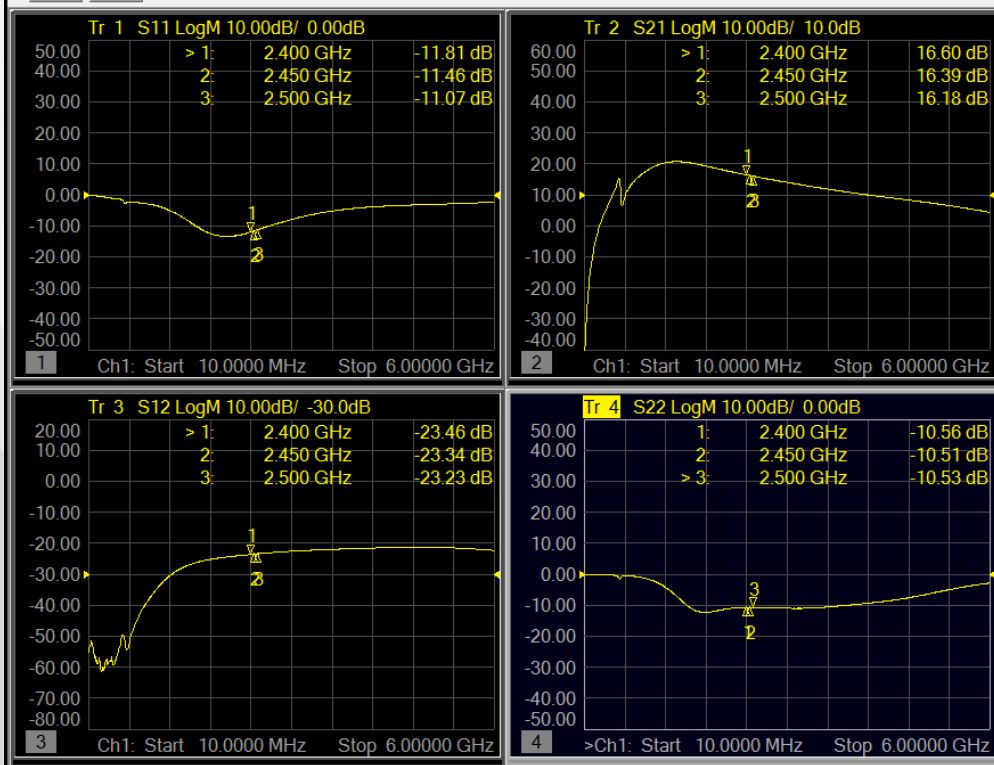


GRF2071 (2400 – 2500 MHz)

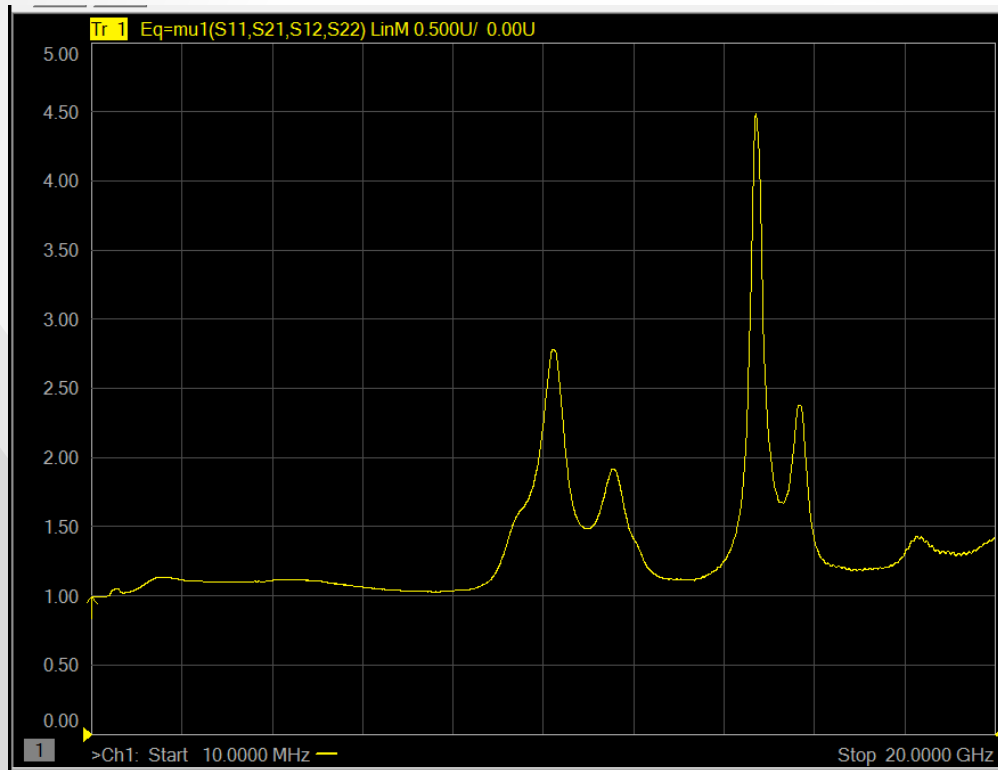
# GRF2071 Schematic:



# GRF2071 Response :



# GRF2071 Stability Mu Factor :



# GRF2071 Data:

Descriptor	Freq MHz	Vdd	Iddq mA	Ven	Ien mA	Pout/Ptone dBm	Gain dB	IIP3 dBm	OIP3 dBm	IP1dB dBm	OP1dB dBm	EVB NF dB
GRF2071_5V/60mA	2400	5.0	61.1	5.0	2.6	2.00	16.72	25.48	42.2	5	20.89	0.51
GRF2071_5V/60mA	2450	5.0	60.6	5.0	2.5	1.93	16.34	26.03	42.37	5.7	21.16	0.49
GRF2071_5V/60mA	2500	5.0	60.6	5.0	2.5	2.04	16.27	26.04	42.31	5.3	20.8	0.56



## **Jeff Broxson**

*Vice President - Sales*

Phone (336) 339-9314

[jbroxson@guerrilla-rf.com](mailto:jbroxson@guerrilla-rf.com)

## **Alan Ake**

*Vice President - Applications/Technical Marketing*

Phone (336) 708-4581

[aake@guerrilla-rf.com](mailto:aake@guerrilla-rf.com)

## **Guerrilla RF**

1196 Pleasant Ridge Road, Suite 5  
Greensboro, NC 27409

Phone: (336) 510-7840

[www.guerrilla-rf.com](http://www.guerrilla-rf.com)