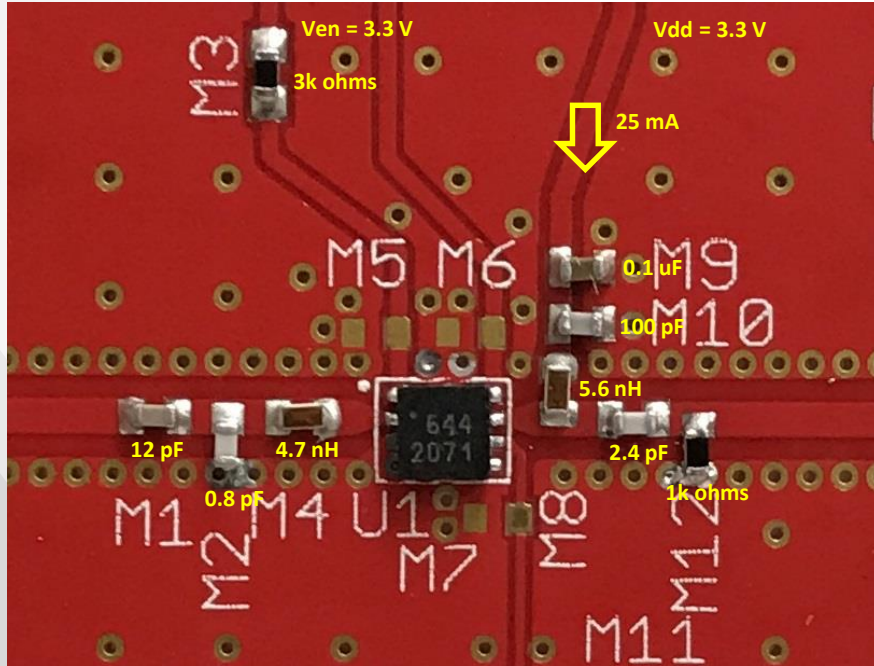


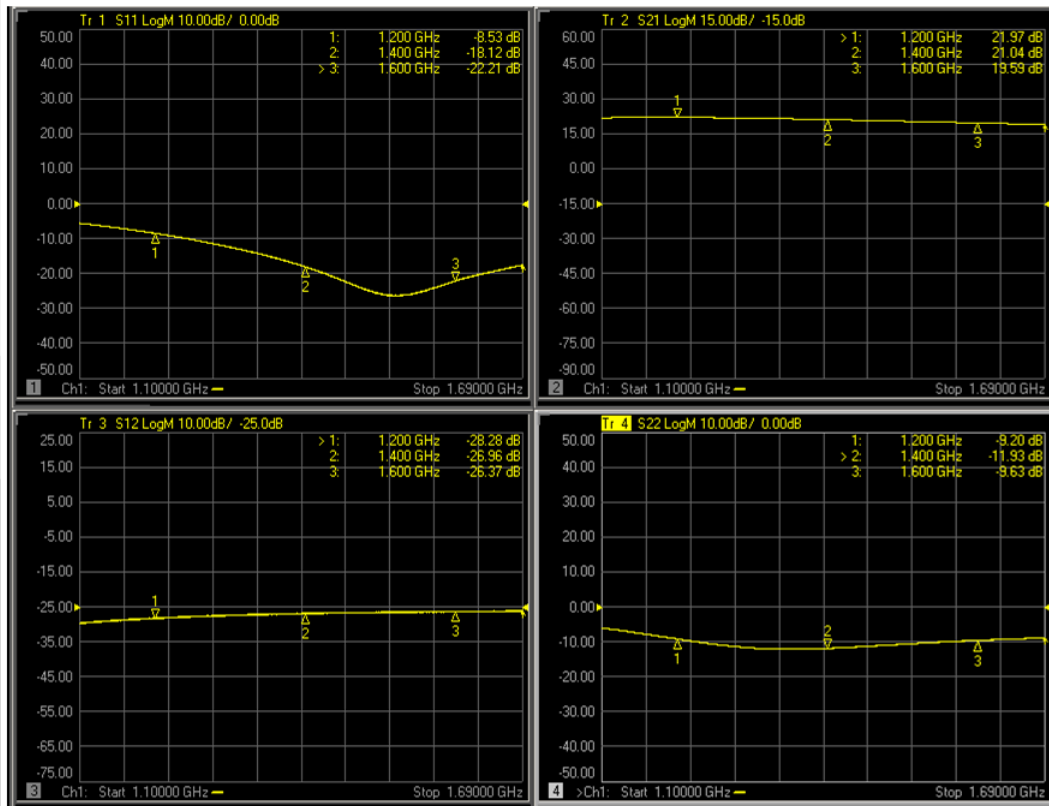


GRF2071 (1200 - 1600 MHz)

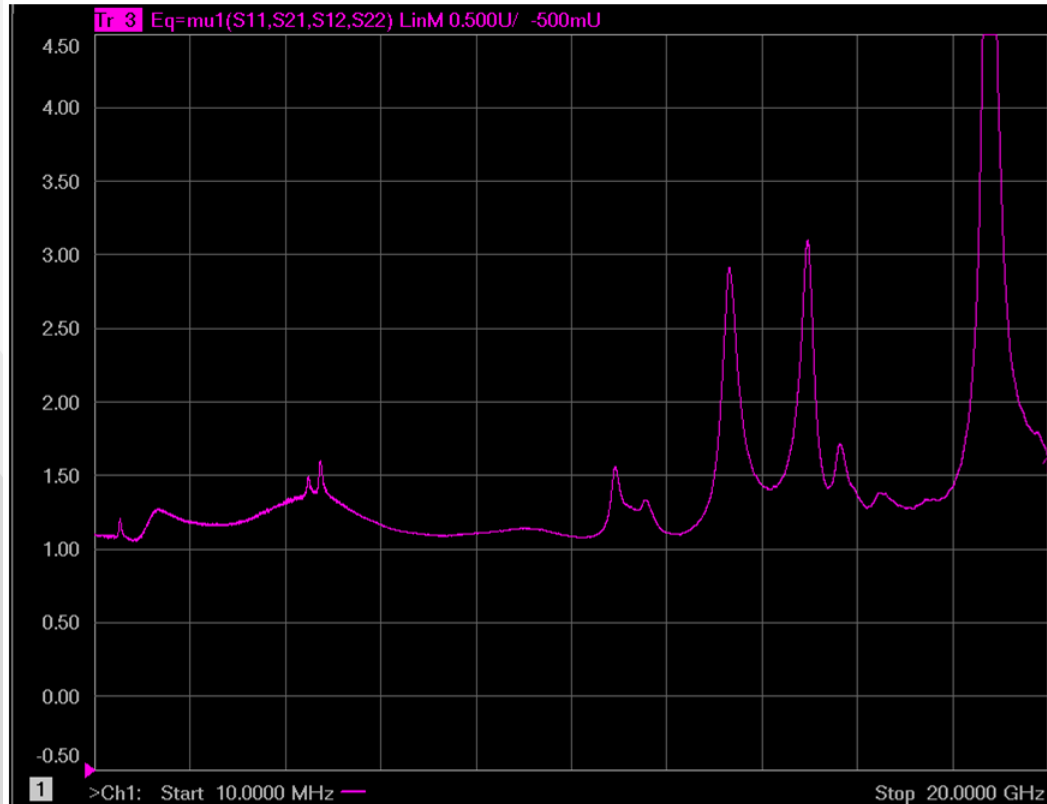
GRF2071 Schematic:



GRF2071 Response:



GRF2071 Stability Mu Factor:



GRF2071 Data:

Descriptor	Freq MHz	Vdd	Iddq mA	Ven	Ien mA	Pout/Ptone dBm	Gain dB	IIP3 dBm	OIP3 dBm	IP1dB dBm	OP1dB dBm	EVB NF dB
GRF2071	1200	3.3	24.7	3.3	1.4	2.0	22.0	10.0	32.0	-6.0	15.0	0.52
GRF2071	1400	3.3	24.7	3.3	1.5	2.0	21.1	12.1	33.2	-4.3	15.8	0.50
GRF2071	1600	3.3	24.7	3.3	1.5	1.9	19.7	14.1	33.7	-2.2	16.4	0.57



Jeff Broxson

Vice President - Sales

Phone (336) 339-9314

jbroxson@guerrilla-rf.com

Alan Ake

Vice President - Applications/Technical Marketing

Phone (336) 708-4581

aake@guerrilla-rf.com

Guerrilla RF

1196 Pleasant Ridge Road, Suite 5
Greensboro, NC 27409

Phone: (336) 510-7840

www.guerrilla-rf.com