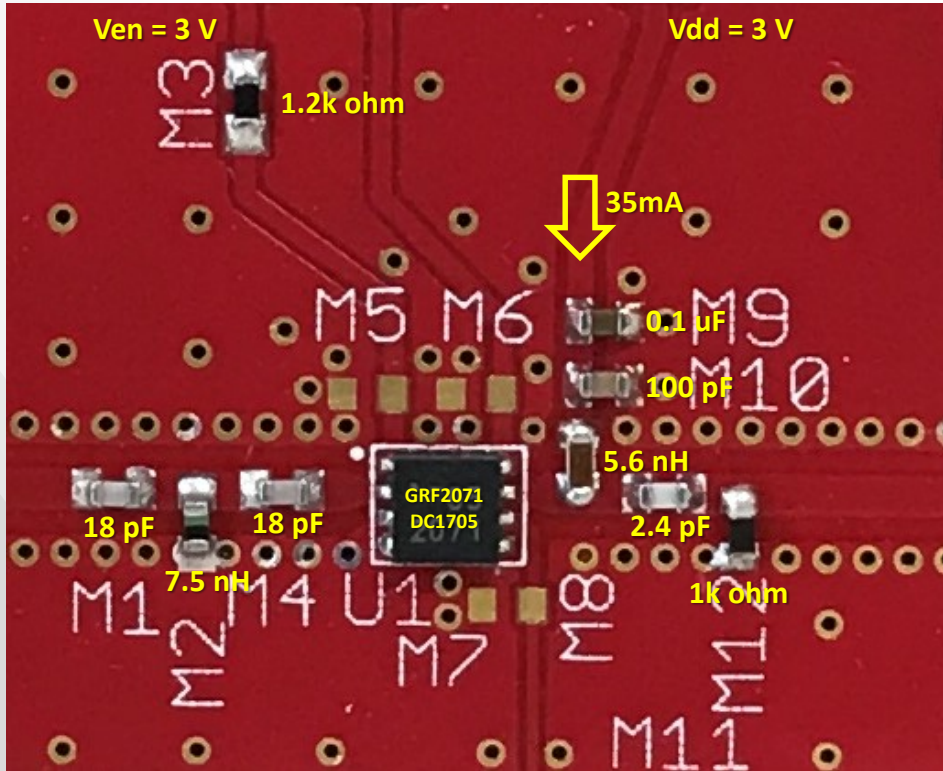


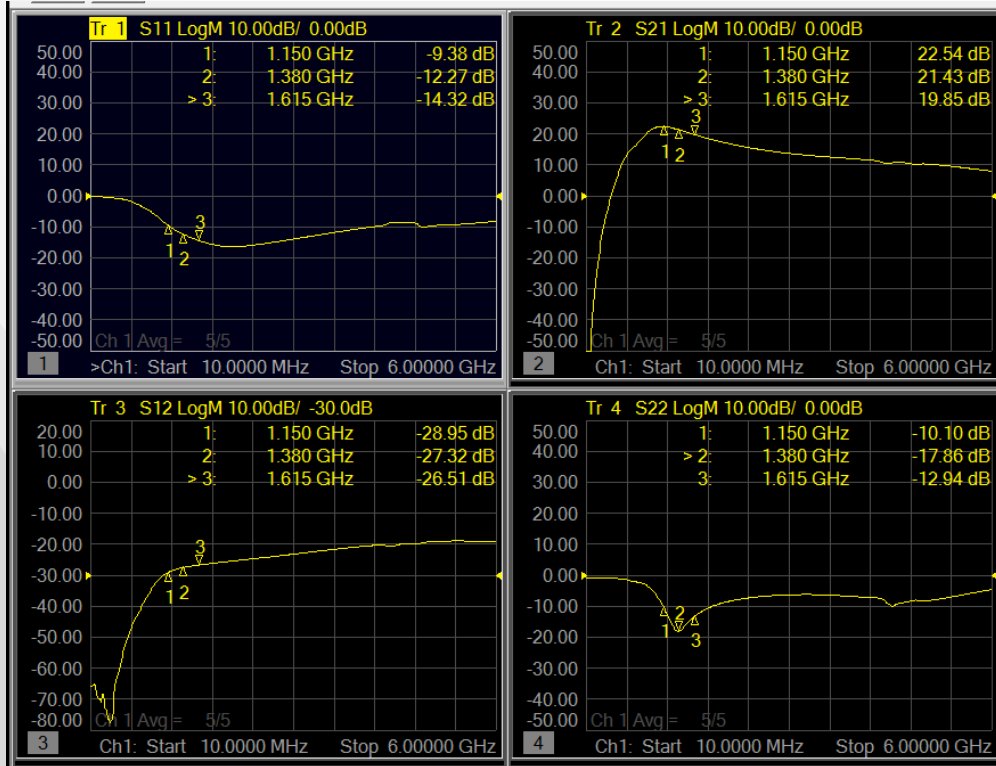


GRF2071 Vdd = 3.0V (1150 – 1615 MHz)

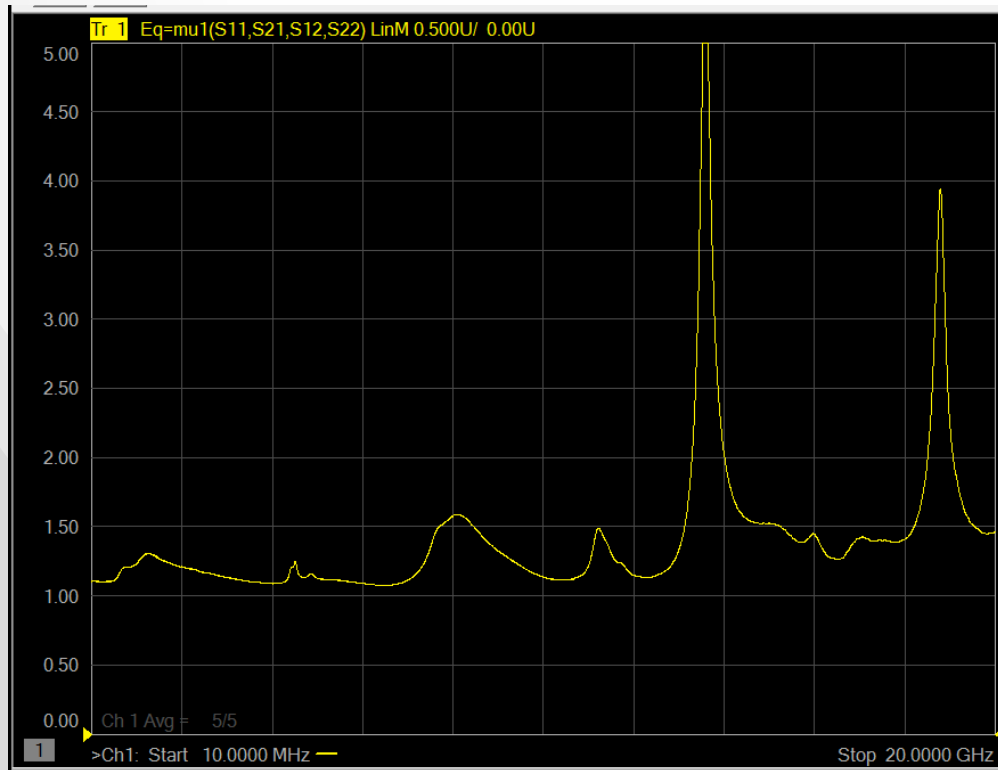
GRF2071 Schematic:



GRF2071 Response :



GRF2071 Stability Mu Factor :



GRF2071 Data:

Descriptor	Freq MHz	Vdd	Iddq mA	Ven	Ien mA	Pout/Ptone dBm	Gain dB	IIP3 dBm	OIP3 dBm	IP1dB dBm	OP1dB dBm	EVB NF dB
GRF2071_3V/35mA	1150	3.0	33.5	3.0	1.5	0.1	22.6	9.7	32.3	-7.6	14.0	0.44
GRF2071_3V/35mA	1380	3.0	33.5	3.0	1.5	0.1	21.4	11.9	33.4	-5.5	14.9	0.40
GRF2071_3V/35mA	1615	3.0	33.5	3.0	1.5	0.0	19.8	14.7	34.5	-2.8	16.0	0.39



Jeff Broxson

Vice President - Sales

Phone (336) 339-9314

jbroxson@guerrilla-rf.com

Alan Ake

Vice President - Applications/Technical Marketing

Phone (336) 708-4581

aake@guerrilla-rf.com

Guerrilla RF

1196 Pleasant Ridge Road, Suite 5
Greensboro, NC 27409

Phone: (336) 510-7840

www.guerrilla-rf.com