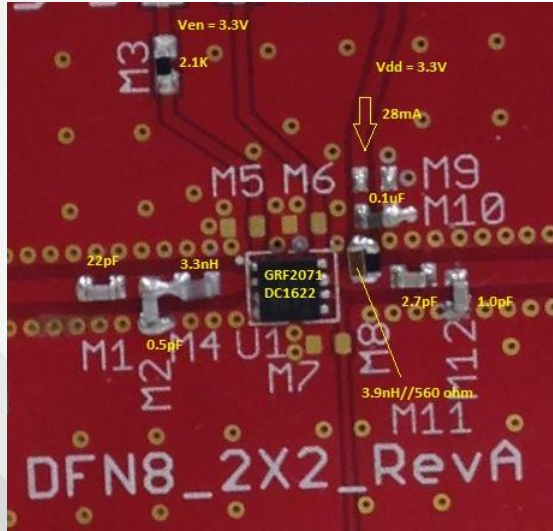


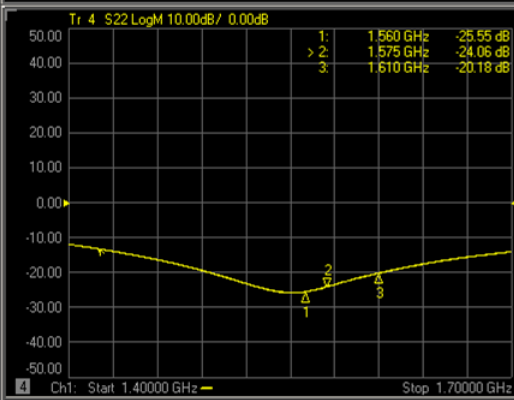
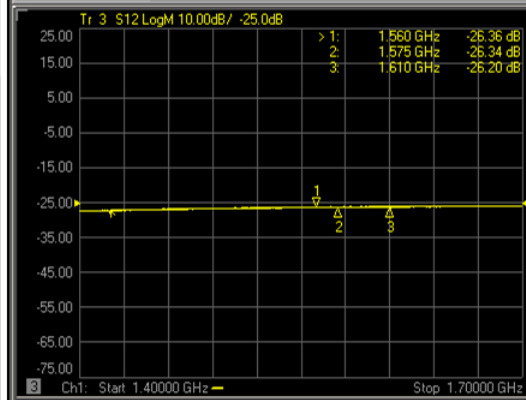
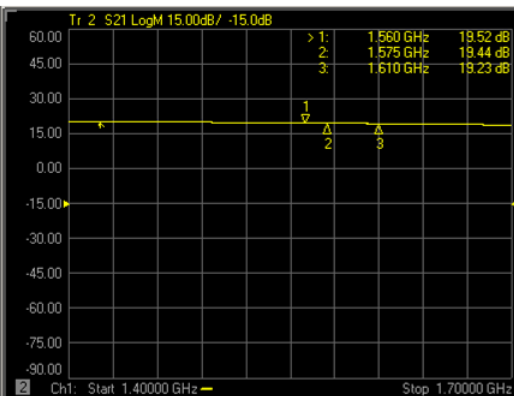
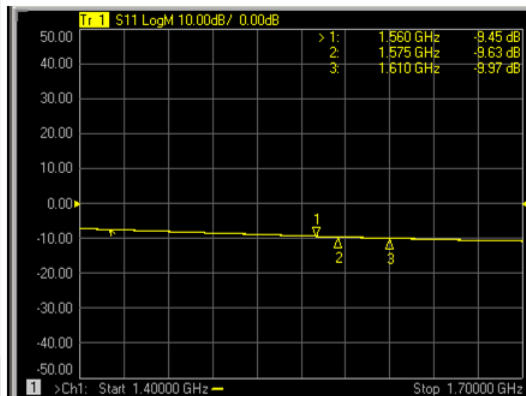


GRF2071 (1560 - 1610 MHz)

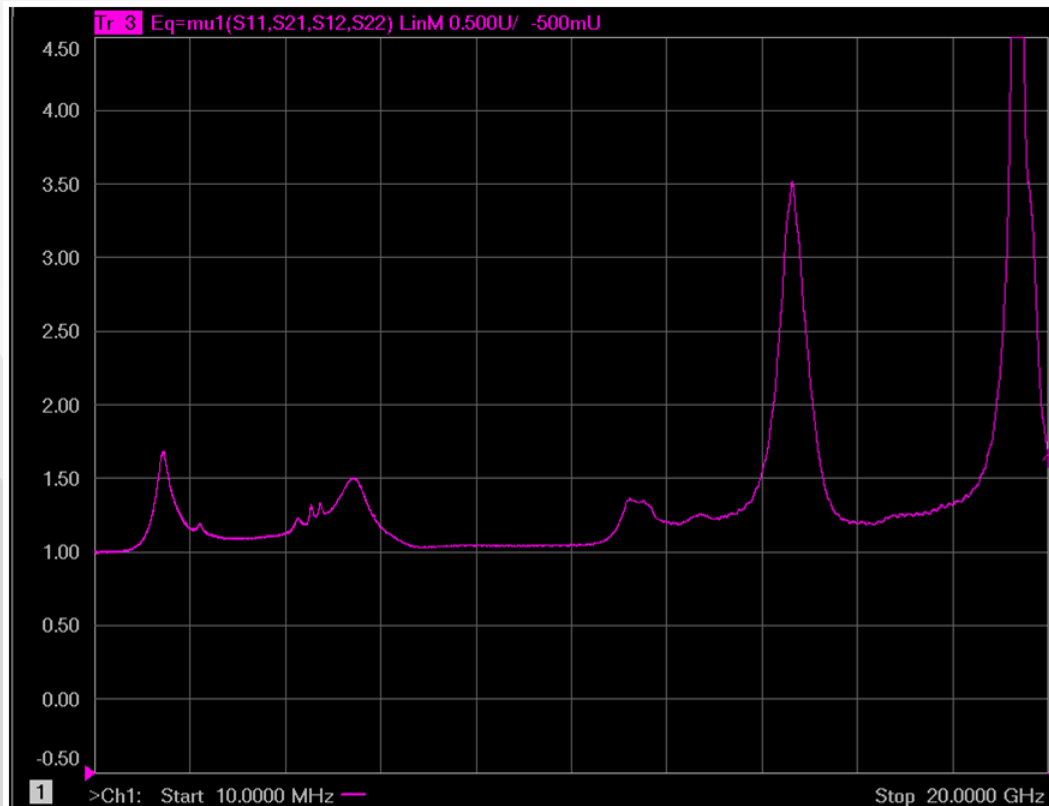
GRF2071 Schematic:



GRF2071 Response:



GRF2071 Stability Mu Factor:



GRF2071 Data:

Descriptor	Freq MHz	Vdd	Iddq mA	Ven	Ien mA	Pout/Ptone dBm	Gain dB	IIP3 dBm	OIP3 dBm	IP1dB dBm	OP1dB dBm	EVB NF dB
3.3V/28mA	1560	3.3	28.2	3.3	1.7	-5.0	19.6	12.4	32.0	-3.4	15.2	0.36
3.3V/28mA	1575	3.3	28.2	3.3	1.7	-5.0	19.5	12.7	32.2	-2.9	15.6	0.36
3.3V/28mA	1610	3.3	28.2	3.3	1.7	-5.0	19.2	12.7	32.0	-2.4	15.9	0.36



Jeff Broxson

Vice President - Sales

Phone (336) 339-9314

jbroxson@guerrilla-rf.com

Alan Ake

Vice President - Applications/Technical Marketing

Phone (336) 708-4581

aake@guerrilla-rf.com

Guerrilla RF

1196 Pleasant Ridge Road, Suite 5
Greensboro, NC 27409

Phone: (336) 510-7840

www.guerrilla-rf.com