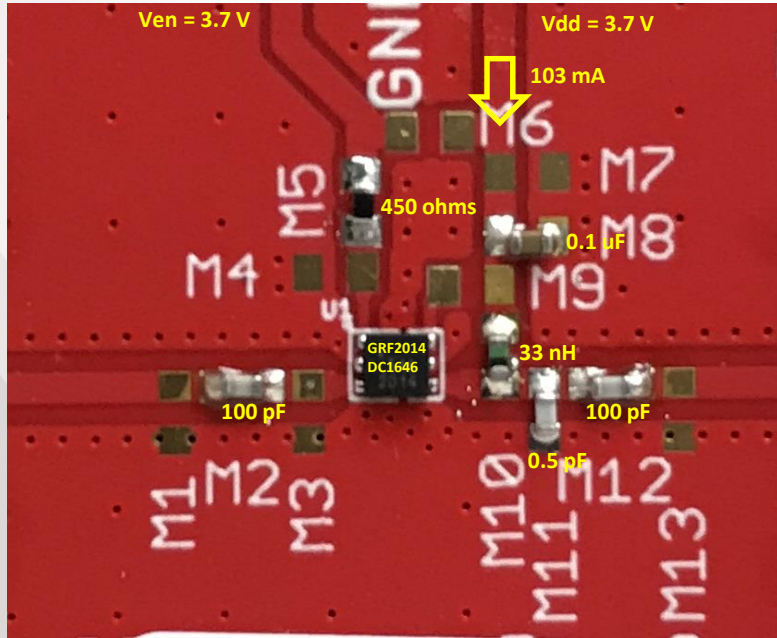


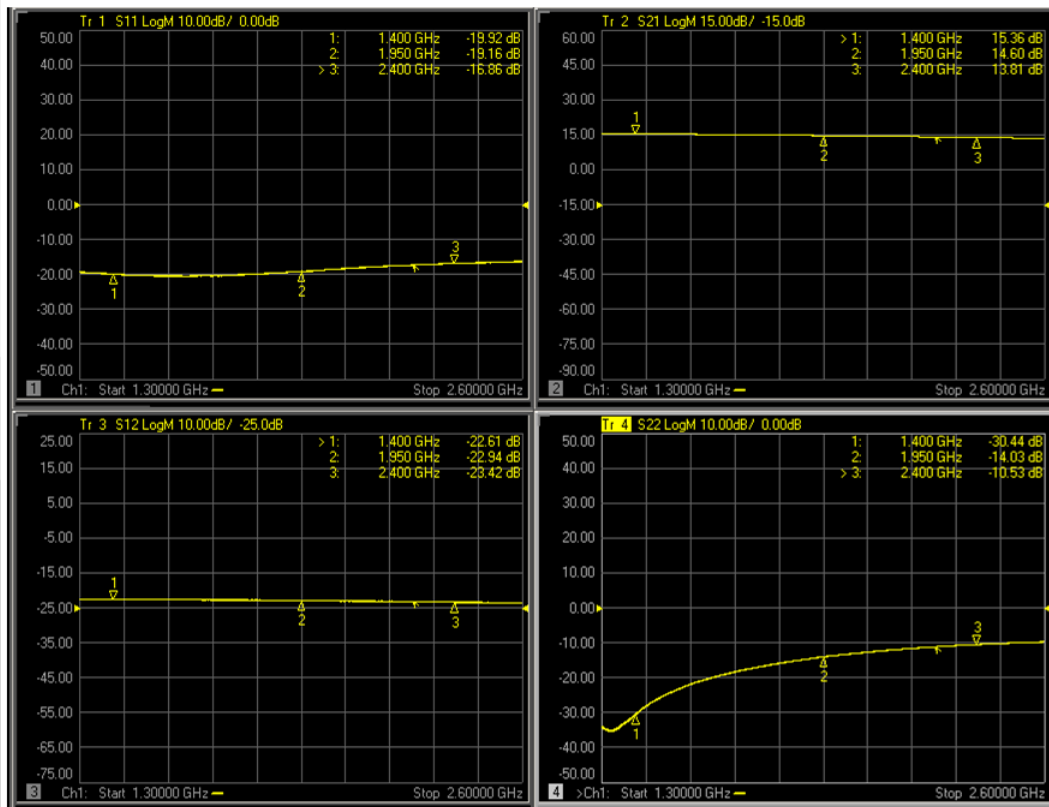


GRF2014 (1500 - 2400 MHz)

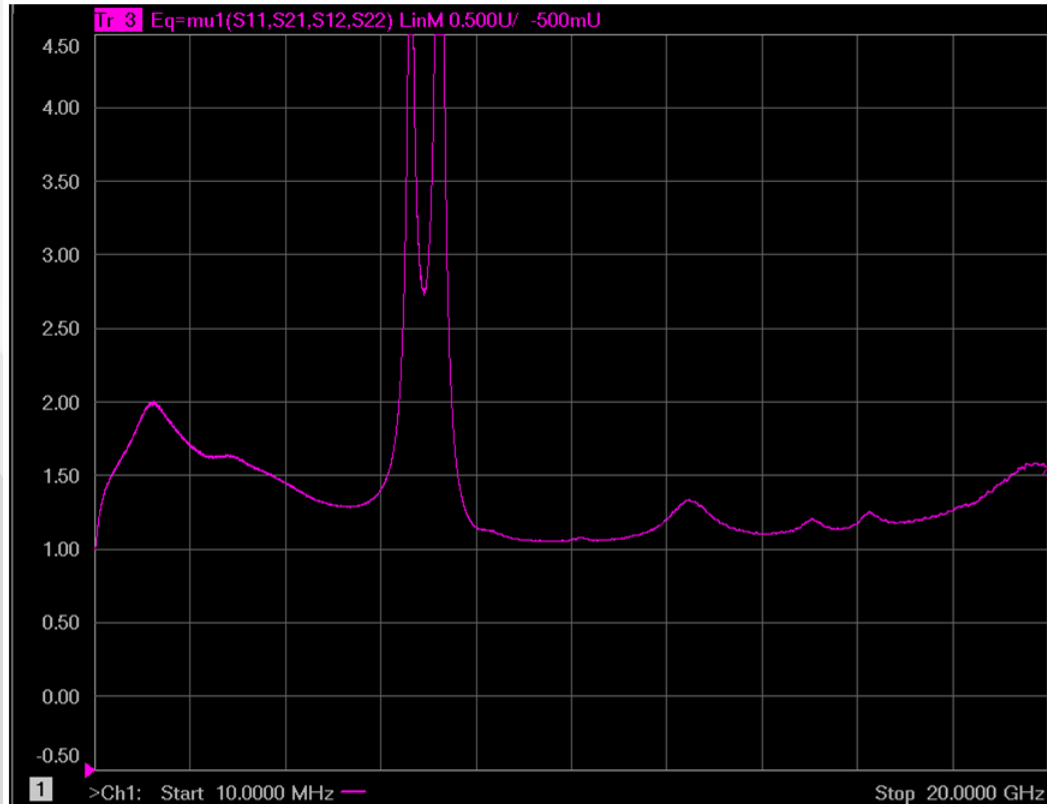
GRF2014 Schematic:



GRF2014 Response:



GRF2014 Stability Mu Factor:



GRF2014 Data:

Descriptor	Freq MHz	Vdd	Iddq mA	Ven	Ien mA	Pout/Ptone dBm	Gain dB	IIP3 dBm	OIP3 dBm	IP1dB dBm	OP1dB dBm	EVB NF dB
GRF2014	1500	3.7	102.9	3.7	4.0	6.0	15.3	19.7	35.0	7.0	21.2	3.21
GRF2014	1950	3.7	102.9	3.7	4.0	6.0	14.8	19.4	34.1	7.1	20.8	3.29
GRF2014	2400	3.7	102.9	3.7	4.0	6.0	13.9	19.1	33.0	8.0	20.8	3.38



Jeff Broxson

Vice President - Sales

Phone (336) 339-9314

jbroxson@guerrilla-rf.com

Alan Ake

Vice President - Applications/Technical Marketing

Phone (336) 708-4581

aake@guerrilla-rf.com

Guerrilla RF

1196 Pleasant Ridge Road, Suite 5
Greensboro, NC 27409

Phone: (336) 510-7840

www.guerrilla-rf.com